

CoBot SmartMagGrip E30 Bin Picking Kit | P/N: 88001350

Summary

The CoBot SmartMagGrip E30 Bin Picking Kit is designed specifically to work well with a collaborative robot in a bin picking type environment. It is an add-on to the CoBot SmartMagGrip E30 (not included). This kit includes 45 degree angled mounting to the robot to allow more access for picking parts near corners or walls of a bin. It can mounted in multiple orientations to the robot wrist. Armor is also included to better protect the base of the the CoBot SmartMagGrip E30 (not included) when impacting parts or the bin. Armor is required in all bin picking environments to better protect Magswitch tools.



WARNING!

Do Not Operate Unless In Contact With Ferrous Target

Specifications

| Mounting Options | Mounts to ISO- 9409-1-50 | | | |
|---|--------------------------|----|-----|----|
| Net Weight (including CoBot SmartMagGrip E30, 45 Degree Mount, Armor Kit, Pole Shoes for Armor, and fasteners) | 2.9 | lb | 1.3 | kg |

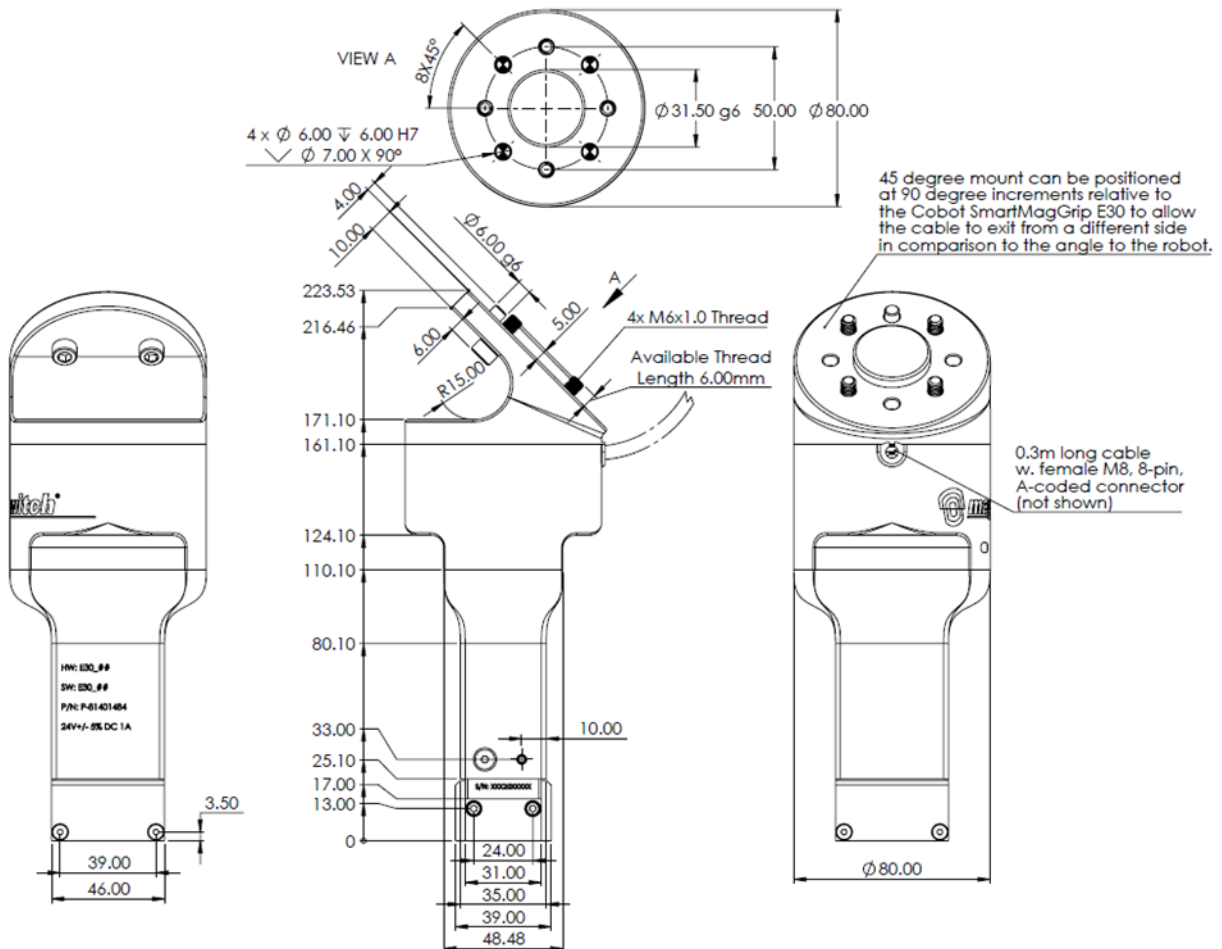
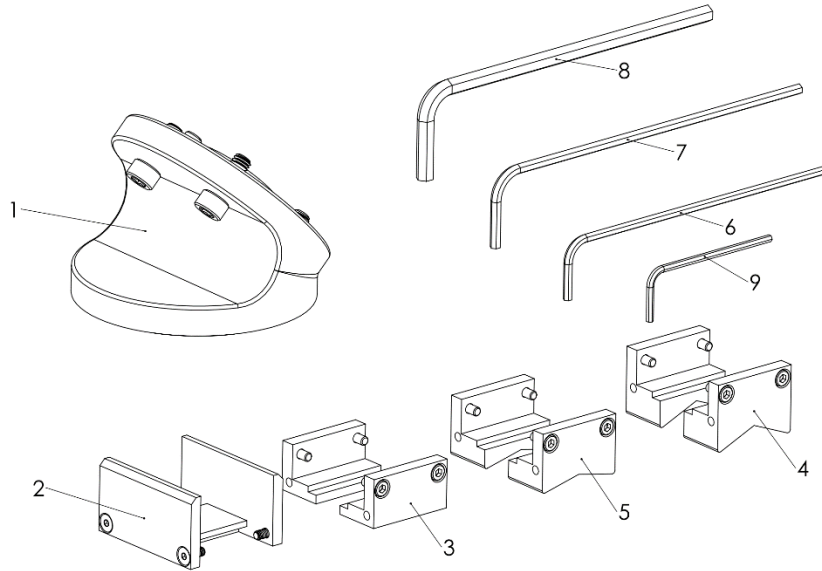
Pole shoes required for operation

Items in The Package:

| Item No. | Item | QTY |
|----------|--|-----|
| 1 | 45 Degree Mount Kit | 1 |
| 2 | Armor Kit | 1 |
| 3 | Standard Pole Shoe Kit – Armor | 1 |
| 4 | 135 Degree V-Cut Pole Shoe Kit – Armor | 1 |
| 5 | 155 Degree V-Cut Pole Shoe Kit – Armor | 1 |
| 6 | 2.5mm Allen Key | 1 |
| 7 | 3mm Allen Key | 1 |
| 8 | 5mm Allen Key | 1 |
| 9 | 2mm Allen Key | 1 |

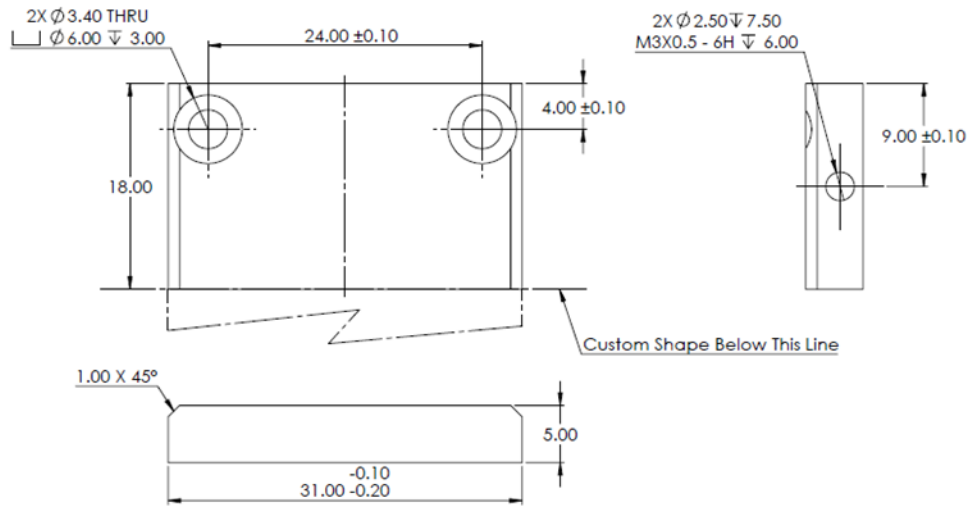
Compatible Tool Available:

| | |
|--|----------|
| CoBot SmartMagGrip E30 (sold separately) | 81401484 |
|--|----------|



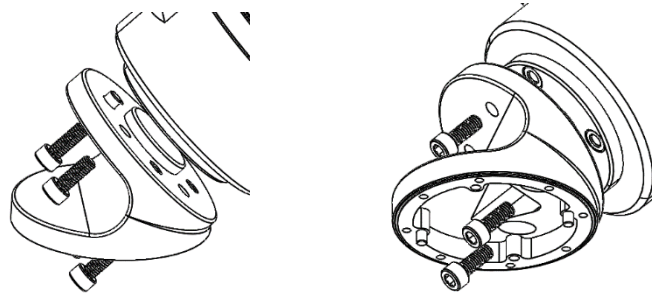
Custom Pole Shoe Design Guide:

When designing custom pole shoes to use with the Armor, the following dimensions and tolerances should be followed.



45 Degree Mount Installation Instructions

- Actuate the CoBot SmartMagGrip E30 tool to the OFF state.
- Remove the CoBot SmartMagGrip E30 tool from preexisting mounting surfaces as required to expose top surface of the tool. Ensure dowel and fastener holes are clean.
- Remove the 45 Degree Mount from preexisting mounting surfaces as required to expose top surface of the mount kit. Ensure dowel and fastener holes are clean.
- Align the 45 Degree Mount with fastener pattern on the robot arm and insert dowel until the bracket is flush with the mounting surface of robot arm.
- Thread four M6x16mm SHCS fasteners through the 45 Degree Mount into the thread bores on the robot arm. All M6 fasteners must be tightened with 8Nm.

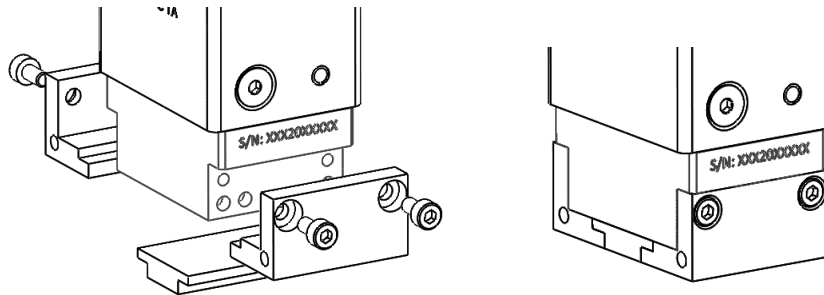


- Align the CoBot SmartMagGrip E30 tool with fastener pattern on the 45 Degree Mount and insert two dowels until the top surface of the tool is flush with the bottom surface of 45 Degree Mount.
- Apply Loctite 222 on the thread of four M4x30mm SHCS fasteners. Thread all M4 fasteners through the CoBot SmartMagGrip E30 tool into the thread bores on the 45 Degree Mount. Torque all M4 fasteners to 1Nm.



Armor Kit Installation Instructions

- Actuate the CoBot SmartMagGrip E30 tool to the OFF state.
- Remove the preexisting pole shoes from CoBot SmartMagGrip E30 tool as required to expose side surfaces of the tool.
- Put the Bottom Wall of Armor Kit on the bottom of the tool. Align two pole shoes with fastener pattern on the side of housing.
- Apply Loctite 222 on the thread of four M3x6mm SHCS fasteners. Thread two M3 fasteners through each pole shoe into the thread bores on the housing. Torque all M3 fasteners to 0.5Nm.



- Align two Side Walls of Armor Kit with fastener pattern on the side of the pole shoes.
- Apply Loctite 222 on the thread of four M3x8mm FHCS fasteners. Thread two M3 FHCS fasteners through each Side Wall into the thread bores on the pole shoes. Torque all M3 fasteners to 0.5Nm.

