

## Pro Universal Featherboard | P/N: 81101303

### Summary

The Pro Universal Featherboard is a table saw safety attachment which pushes the workpiece against the fence during feeding to prevent wandering and kickback. Attach it to steel table saw tables or fences with the feathers in compression to apply even force. Additionally, two micro-adjustable bump stops on the front of the tool allow it to function as a repeatable surface for cross cuts and slots.



### Features

- Compressible gaskets provide excellent grip when magnets are engaged.
- Increased width for stability
- Magnet footprint spans most miter slots
- Functional in left or right-handed positions
- Two smooth bump stops with independent adjustability using thumb wheels
- Knobs improve visibility of magnet ON/OFF state

**WARNING!**

**Do Not Operate Unless In Contact With Ferrous Target**

### Specifications

Nominal Maximum Breakaway Force <sup>1</sup>	126 lbs	57 kg
Nominal Maximum Shear <sup>1</sup>	50+ lbs	23+ kg
Net Weight	1.2 lbs	.55 kg
Footprint	5.29" x 6.23"	134.4mm x 158.2mm
Bump Stop Adjustment Range	0.55"	14mm

<sup>1</sup> Determined in laboratory environment on 2" thick SAE1018 Steel with surface roughness 63 micro inches with optimized pole shoes. Many factors contribute to the actual breakaway force and safe working load in each application. Consult a Magswitch Applications Engineer and test the Magswitch in each application before deployment.

## Safety

- Items or body parts between the gripping surface of the magnet and ferromagnetic material are at risk of crushing and impact forces.
- Never exceed the maximum rated load of Magswitch tools. This may result in an unsafe or dangerous condition.
- DO NOT attempt to alter the device in any way. This will void the warranty and may result in an unsafe or dangerous condition.
- DO NOT attempt to disassemble the Magswitch magnet; there are no user serviceable parts inside.
- All Magswitch products are designed for normal worksite/jobsite conditions. Do not use underwater or in a hazardous environment unless specifically designed for that purpose.
- DO NOT use a Magswitch product if it is damaged or not working properly. Severe injury can occur if this device is not used properly and safely.
- Ensure Magswitch MagJigs are stored in the OFF position when not in contact with ferromagnetic materials.
- DO NOT turn the magnet ON unless it is in contact with ferromagnetic metal. Actuation off-target will generate a strong, static, projected magnetic field which can accelerate, draw-in, and trap ferromagnetic material and damage magnetic storage media.
- DO NOT expose standard Magswitch tools to temperatures above 176°Fahrenheit (80°Celsius). High temperatures will permanently degrade the magnet's effectiveness and may result in an unsafe condition.
- Always keep the bottom of the magnet clean and free of debris and rust. If needed, wipe with WD40 or light oil. The bottom surface of the magnet must be flat, smooth, and in contact with steel to hold properly.
- Thicker steels will be held more strongly than thinner sheet. Steels with high alloy and carbon content will not be held as strongly.



**WARNING:** This product can expose you to chemicals including nickel and tetrafluoroethylene, which are known to the State of California to cause cancer. For more information, go to [www.P65Warnings.ca.gov](http://www.P65Warnings.ca.gov)



**WARNING:** This product can expose you to chemicals including toluene, which are known to the State of California to cause birth defects or other reproductive harm. For more information, go to [www.P65Warnings.ca.gov](http://www.P65Warnings.ca.gov)



**WARNING:** Drilling, sawing, sanding or machining wood products can expose you to wood dust, a substance known to the State of California to cause cancer. Avoid inhaling wood dust or use a dust mask or other safeguards for personal protection. For more information go to [www.P65Warnings.ca.gov/wood](http://www.P65Warnings.ca.gov/wood).

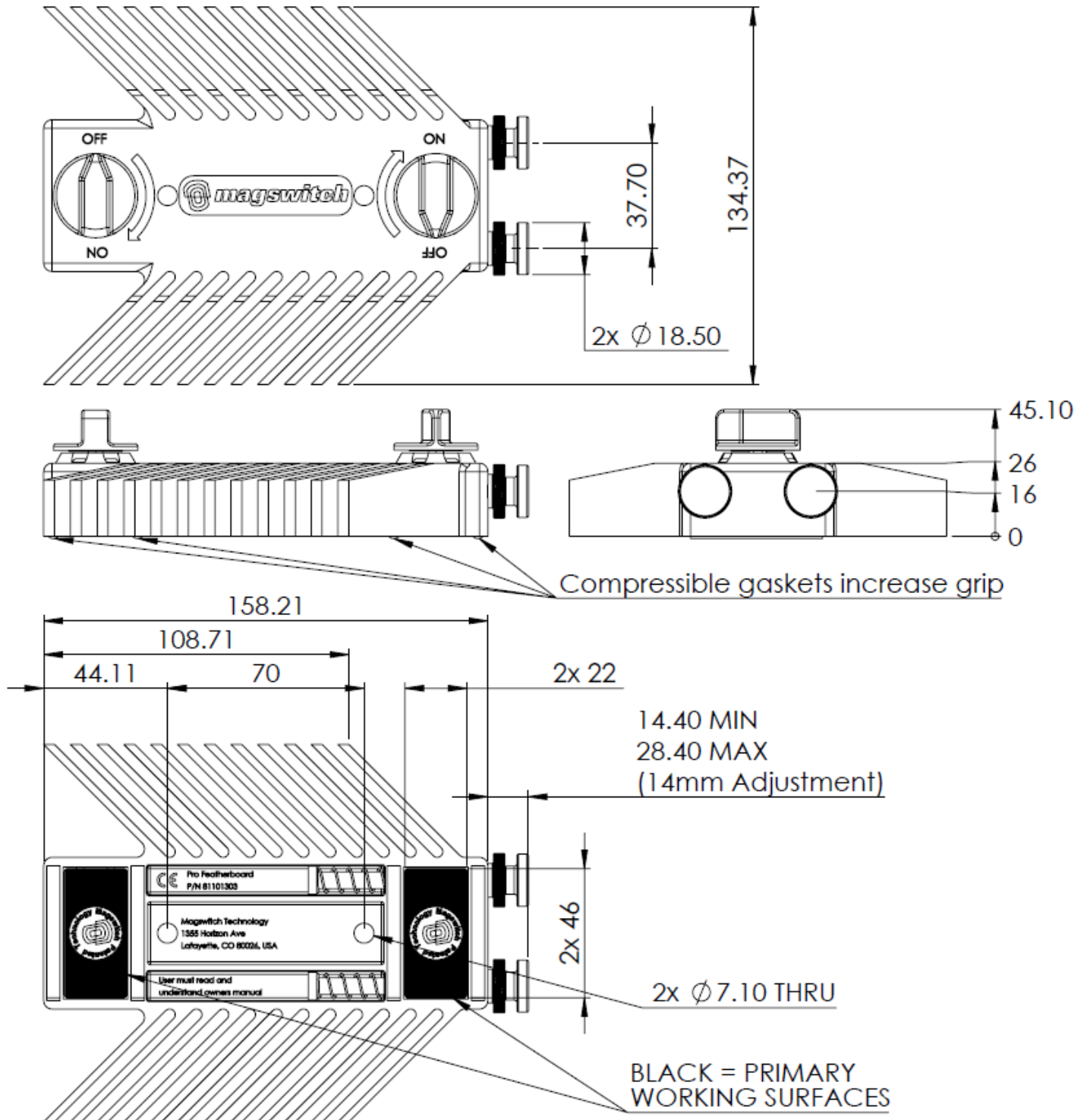
## Warranty

### Magswitch Limited Warranty

Magswitch products are covered by a one year limited warranty on material and workmanship. Warranty is non-transferable. Magswitch reserves the right to inspect all product claims under warranty. Any alteration of the device voids this warranty. User assumes all risk for the proper use of this device and for ensuring product suitability for intended application. This warranty shall not cover any incidental or consequential damages due to the improper use or failure of this device. All Magswitch products are covered under International and U.S. Patents 6,707,360 & 7,012,495. Add'l patents pending.

All Magswitch products are covered under International Patents. Australian Patents: 753496, 2006294433, Canadian Patents: 2,392,772, 2,458,251, Chinese Patent: 254155, European Patent: 1243006, Indian Patent: 219575, Korean(South) Patent: 10-0728448, Mexican Patent: 236,352, New Zealand Patent: 518865, Singapore Patents: 88931; 103413, South Africa Patents: 2002/3752; 2004/1785, US Patents: 6,707,360; 7,012,495. Additional Patents and Patent Applications Pending in Hong Kong, South Korea, China, Spain, Brazil, China, Japan. Trade Mark Registered in: European Union, Germany, Brazil, China

## Product Dimensions

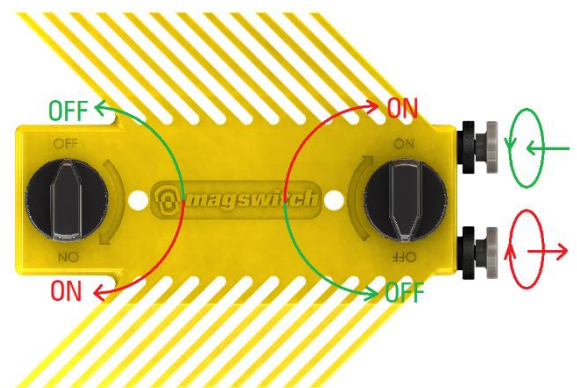


## Getting Started

1. Set table saw fence location relative to blade and lock in place. With the saw turned off, position workpiece against fence near sawblade.
2. Position Featherboard on table of saw before table saw blade. Compress feathers against workpiece against the fence at least  $\frac{1}{4}$ " or 6mm when the part passes underneath. Avoid compressing the feathers more than  $\frac{1}{2}$ " or 12mm or the feathers may be damaged. The feathers should be oriented as shown to prevent kickback.



3. With the featherboard in position, twist both knobs clockwise 180° until they stay in place. The body of the featherboard will lower to the table as the gaskets compress to grip the table.
4. Feed the workpiece through the saw using the standard feed rate. If kickback occurs, the feathers will catch on the edge of the workpiece, preventing ejection from the saw. **NOTE: this featherboard does not hold parts down on the saw table unless used as a vertical featherboard on the fence.**



5. To turn off the magnets, ensure the saw is turned off and twist both knobs counterclockwise 180° until the magnet no longer grips the table.
6. If using the micro-adjustable bump stops, adhere the featherboard to the saw table as before, and twist the knurled nuts on the end of the featherboard to thread or unthread the flat bump stop surface in or out of the featherboard body. Every turn of the knurled nut corresponds to 1mm or 0.039 inches of adjustment.





## EU Declaration of Conformity

**We, Magswitch Technology**

Magswitch Technology World Wide Pty. Ltd.

Registered Office: C/- Shop 2B, 14 Short Street, Port Macquarie NSW 2444 Australia

**Declare with sole responsibility that the machinery**

Pro Vertical Featherboard, Pro Universal Featherboard, or other tool designations containing the "pro featherboard" description and any accessories for these designations covered by these directives

**Fulfils the relevant provisions of the following Union harmonisation legislation/directives:**

- 2006/42/EC Machinery Directive
- 2011/65/EU Restriction of Hazardous Substances Directive (RoHS 2)
- 2015/863 Restriction of Hazardous Substances Directive III (RoHS 3)

**Conformity is shown by compliance with the applicable requirements of the following documents:**

Ref:	Title	Date
ISO 12100	Safety of machinery - General principles for design - Risk assessment and risk reduction	2010

**The Technical Construction File is maintained at:**

Magswitch Technology, Inc.

1355 Horizon Ave, Lafayette CO 80026

ph. 303.468.0662 fax 303.951.9918

**The authorised representative located within the Community is:**

Cengiz Kizilkan

President Automation Sales

Magswitch Technology Europe

Marie-Curie-Str. 2

D-85055 Ingolstadt, Germany

**Date of issue:** 11/15/2019**Place of issue:** Lafayette, Colorado, United States of America

David C. Long, Magswitch Engineering