



Magswitch Technology, Inc.
 8774 Yates Dr. Suite 140
 Westminster, CO 80031
 Magswitch.com.au
 303-468-0662

Magswitch MagTether 600

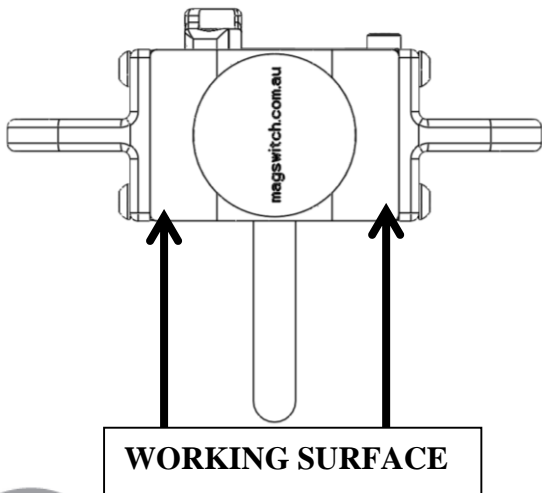
P/N: 8100077

Magswitch Marine Tethers provide fast super strong switchable magnets that allow above and below water operators to fasten themselves or their equipment while working on steel hull ships or structures with an easy 180° turn of a lever. Underwater repairs and inspection can be difficult work trying to maintain position. Magswitch Tethers solve this challenge with quick connect – disconnect, strong hold. Ideal for use in military and commercial applications including oil and gas. Tethers include marine grade corrosive resistant coating and are equipped with positive locks.



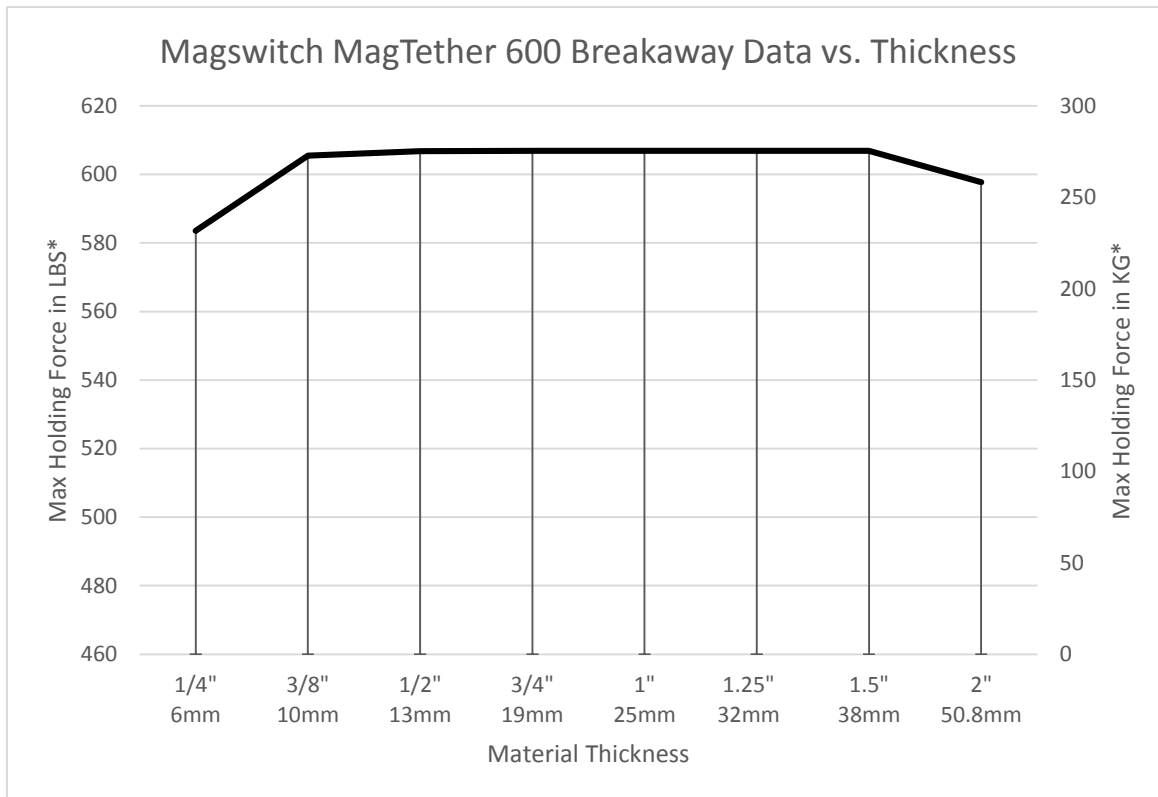
WARNING!
Do Not Operate Unless In
Contact With Ferrous Target

SPECIFICATIONS	
P/N: 8100077 - MAGSWITCH MagTether 600	
Max Breakaway*	600 lbs/272 kg
Full Saturation Thickness	3/8" / 10 mm
2:1 Shear Working Load*	61 lbs/27 kg
Net Weight	4.0 lbs/1.8 kg
Overall Height	184 mm
Magnetic Pole Footprint	51.75mm x 87mm



Part Number 110692
 Revision Date: June 26, 2012

* Max Breakaway determined in laboratory environment on 2" thick SAE1018 Steel with surface roughness 63 micro inches. Many factors contribute to the actual breakaway force in each application. Always test the magswitch in each application before deployment. Refer to the magswitch information booklet for more information.



Part Number 110692
 Revision Date: June 26, 2012

* Max Breakaway determined in laboratory environment on 2" thick SAE1018 Steel with surface roughness 63 micro inches. Many factors contribute to the actual breakaway force in each application. Always test the magswitch in each application before deployment. Refer to the magswitch information booklet for more information.

