



Magswitch Technology, Inc.
 1335 Horizon Ave
 Lafayette, CO 80026
 Magswitch.com.au
 303-468-0662

Magswitch 235 Fixed Manual Hand Lifter

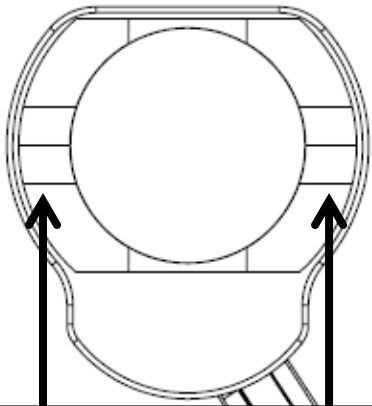
P/N: 8100795

The Magswitch fixed manual hand lifter series allows for safe and convenient lifting. With an ergonomic fixed handle, the 235 hand lifter features a single 90° side-actuation lever with a locking mechanism that prevents accidental release. It is perfect for handling sharp or dirty steel or scrap. It can be used for dragging or handling small steel sheet.



WARNING!
 Do Not Operate Unless In
 Contact With Ferrous Target

SPECIFICATIONS	
P/N: 8100795 - MAGSWITCH 235 FIXED MANUAL HAND LIFTER	
Max Breakaway*	235 lbs/106 kg
Full Saturation Thickness	3/16in / 4.75mm
Net Weight	1.6 lbs/0.7 kg
Overall Height	4.1in/105.1mm
Magnetic Pole Footprint	56mm x 42 mm



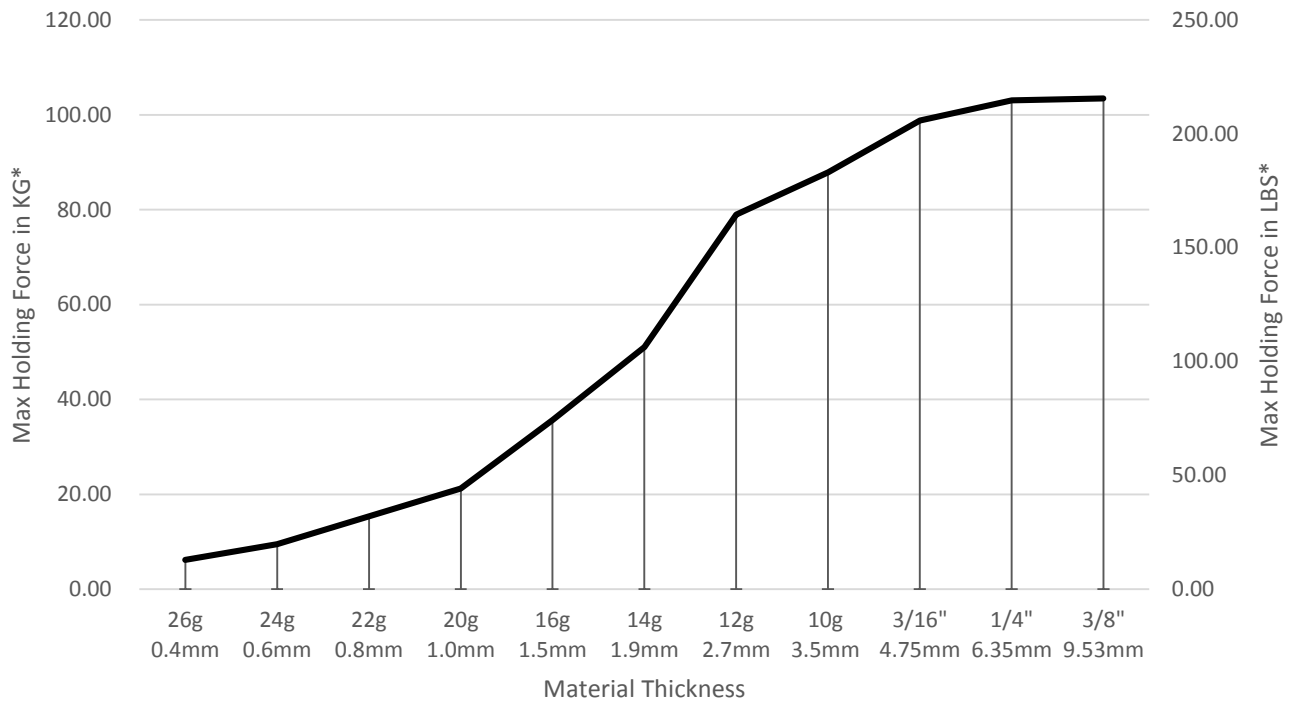
WORKING SURFACE



Part Number 1101131
 Revision Date: March 24, 2015

* Max Breakaway determined in laboratory environment on 2" thick SAE1018 Steel with surface roughness 63 micro inches. Many factors contribute to the actual breakaway force in each application. Always test the magswitch in each application before deployment. Refer to the magswitch information booklet for more information.

Magswitch 8100795 Breakaway Data vs. Thickness



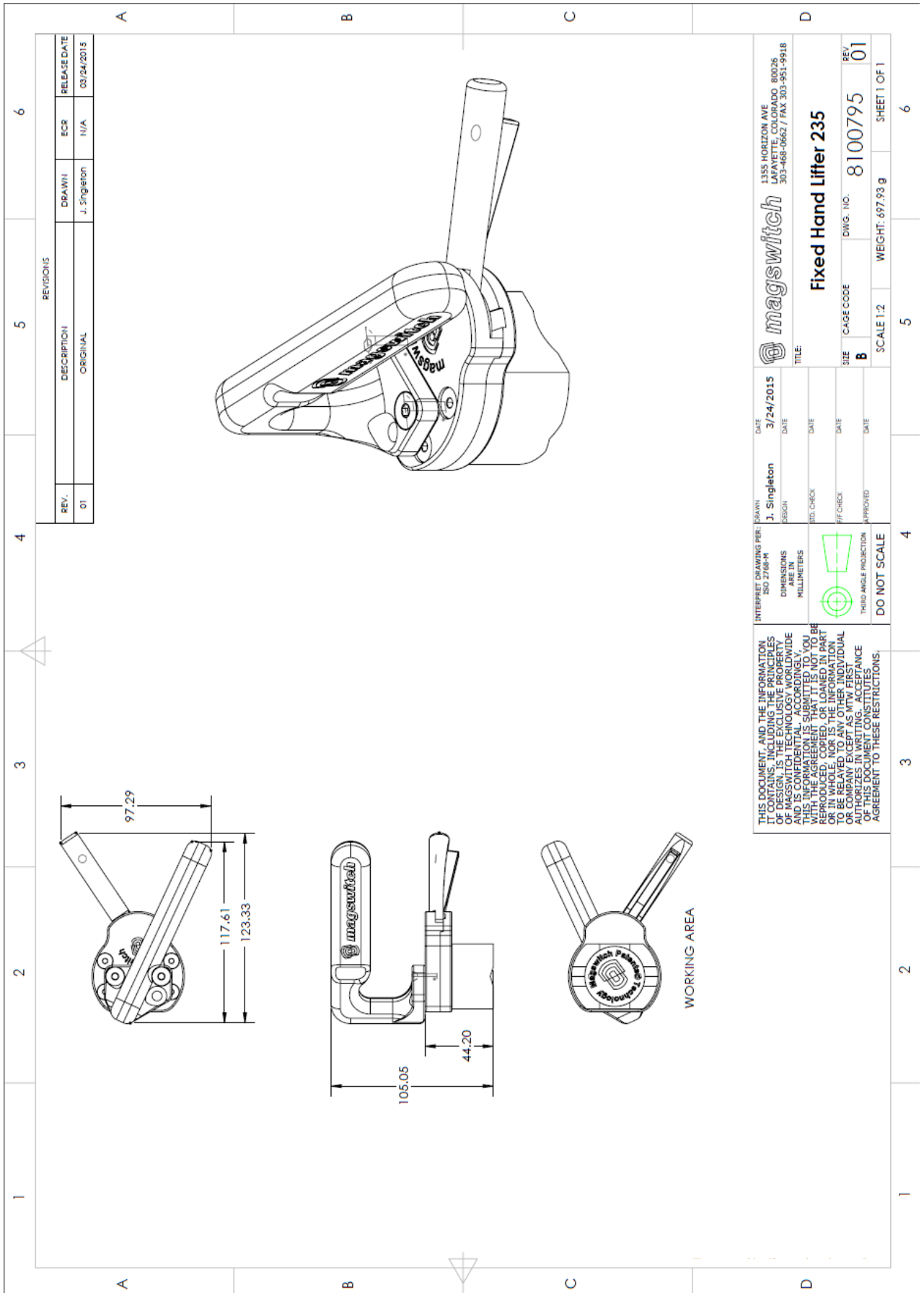
* Max Breakaway determined in laboratory environment on 2" thick SAE1018 Steel with surface roughness 63 micro inches. Many factors contribute to the actual breakaway force in each application. Always test the magswitch in each application before deployment. Refer to the magswitch information booklet for more information.



Part Number 1101131
Revision Date: March 24, 2015



Part Number 1101131
 Revision Date: March 24, 2015



THIS DOCUMENT, AND THE INFORMATION CONTAINED HEREIN, IS THE EXCLUSIVE PROPERTY OF MAGSWITCH TECHNOLOGY WORLDWIDE AND IS CONFIDENTIAL. ACCORDINGLY, THIS INFORMATION IS NOT TO BE REPRODUCED, COPIED, OR LOANED IN PART OR IN WHOLE, NOR IS THE INFORMATION TO BE REPRODUCED, COPIED, OR LOANED IN ANY MANNER WITHOUT THE WRITTEN AUTHORIZATION OF THIS DOCUMENT CONSTITUTES AGREEMENT TO THESE RESTRICTIONS.

magswitch
 1355 HORIZON AVE
 LAFAYETTE, COLORADO 80026
 303-468-0662 / FAX 303-951-9918

Fixed Hand Lifter 235

SIZE: **B** GAUGE CODE: **B** DWG. NO.: **8100795** REV: **01**

SCALE 1:2 WEIGHT: 697.93 g SHEET 1 OF 1