



Magswitch Technology, Inc.
8774 Yates Dr. Suite 140
Westminster, CO 80031
Magswitch.com.au
303-468-0662

Magswitch AR30 Classic

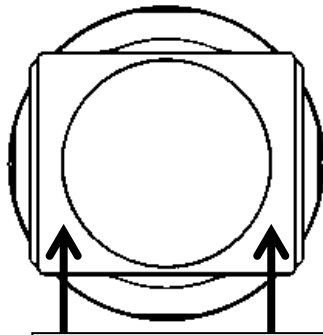
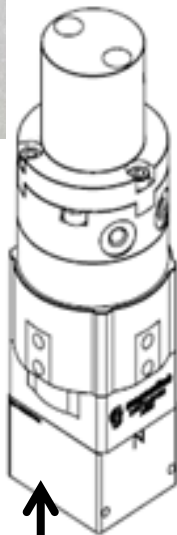
P/N: 8140480

Magswitch “AR” series is explicitly designed for use with pole shoes. Pole shoes must be attached to the unit in order to maximize breakaway force and minimize residual magnetism. Each Magswitch “AR” unit comes equipped with one set of dual purpose pole shoes for flat or pipe/round stock. Simply flip the pole shoes around so the V shape is exposed for use on pipe and other rounds. The “AR” series allows complete customization of pole shapes to provide the best hold on your hard to grip parts.

Note: You may have to design and fabricate custom pole shoes depending on your application for optimal performance.



WARNING!
**Do Not Operate Unless In
Contact With Ferrous Target**

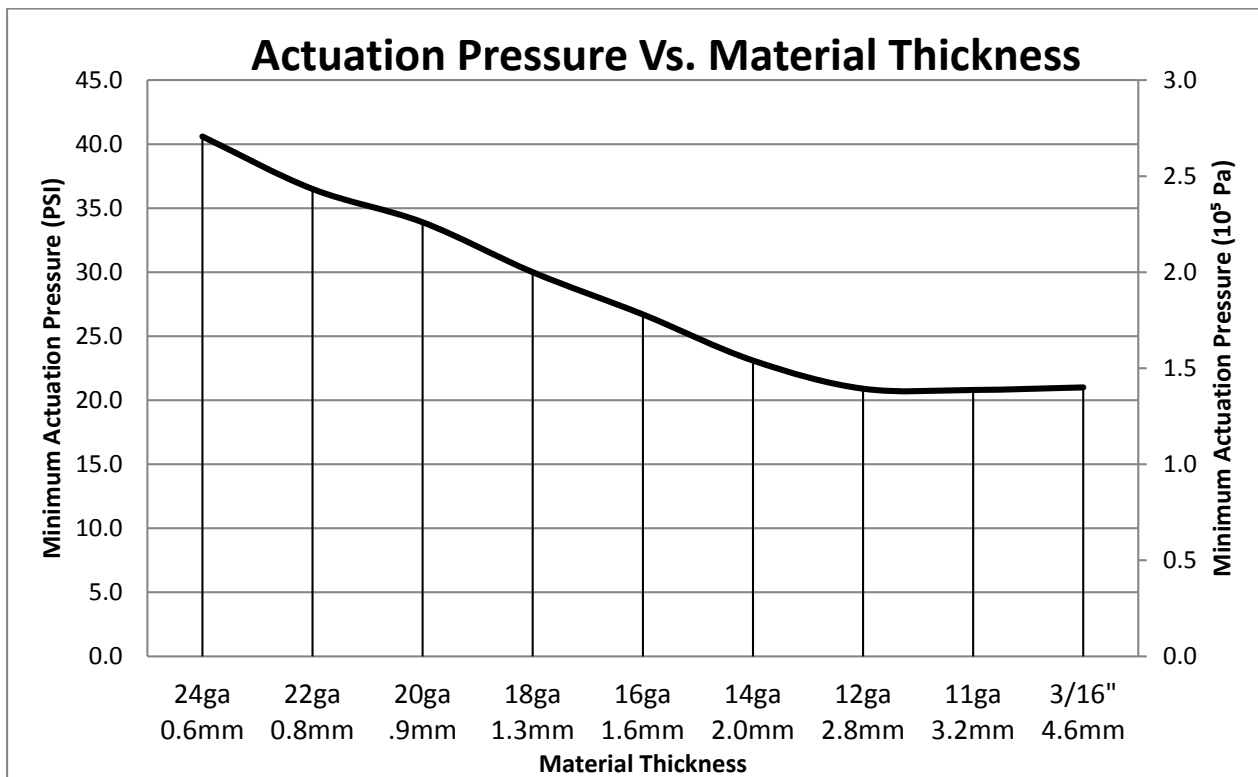
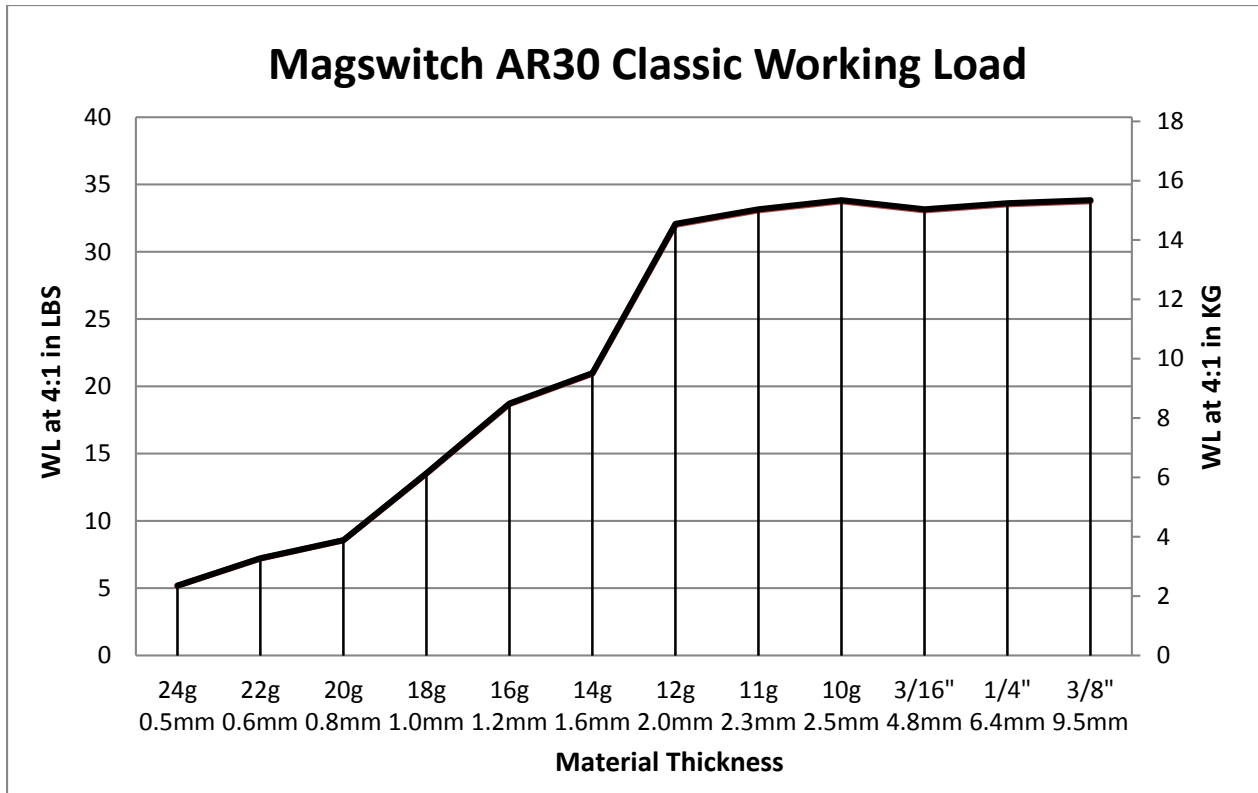


WORKING SURFACE

SPECIFICATIONS	
P/N: 8140480 - MAGSWITCH AR30 Classic	
Max Breakaway*	134 lbs/60.9 kg
Working Load 4:1*	33.5 lbs/15.2 kg
Full Saturation Thickness	10 ga/3.5 mm
Max Shear 2:1*	15 lbs/6.8 kg
Minimum Thickness for De-Stack	10 ga/3.5 mm
Min Actuation Pressure	21 psi/1.45x10 ⁵ pa
Max Actuation Pressure	100 psi/6.9x10 ⁵ pa
Off Target Actuation Pressure	48 psi/3.3x10 ⁵ pa
Net Weight	0.88 lbs/0.4 kg
Air Port Thread	M5x0.8
Mounting Thread	M4x0.7
Overall Height	131 mm
Magnetic Pole Footprint	36x31.2 mm

Part Number 110631
Revision Date: 11/11/2014

* Max Breakaway determined in laboratory environment on 2” thick SAE1018 Steel with surface roughness 63 micro inches. Many factors contribute to the actual breakaway force in each application. Always test the magswitch in each application before deployment. Refer to the magswitch information booklet for more information.

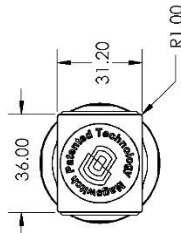
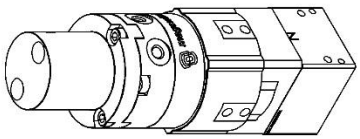
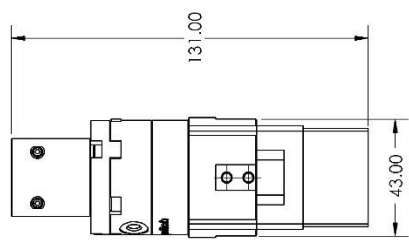
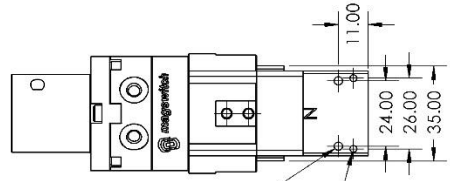
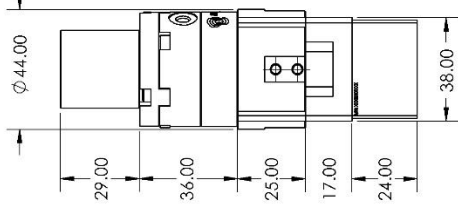
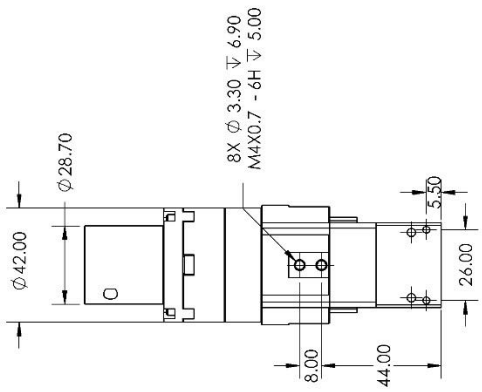
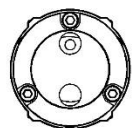



Part Number 110631
 Revision Date: 11/11/2014

* Max Breakaway determined in laboratory environment on 2" thick SAE1018 Steel with surface roughness 63 micro inches. Many factors contribute to the actual breakaway force in each application. Always test the magswitch in each application before deployment. Refer to the magswitch information booklet for more information.

1 2 3 4 5 6

ACCESSORIES	
PART NUMBER	DESCRIPTION
8800057	AR30 Blank Pole Shoe
8800070	AR30 Combo Flat/Pipe Pole Shoe Standard
180710	M3x30mm SHCS Class 12.9 Black
Max Breakaway	
	134 lbs / 60.9 kg
Working Load 4:1	
	33.5 lbs / 15.2 kg
Minimum Thickness for De-Stack	
	10g / 3.5 mm



DATE	11/11/2014	DESIGNER	magswitch
DRAWN		CHECKED	
SCALE		APPROVED	
INTERPRET DRAWING PER: ANS1 Y14.5M-1994 DIMENSIONS ARE IN MILLIMETERS  THIRD ANGLE PROJECTION DO NOT SCALE			
THIS DOCUMENT AND THE INFORMATION IT CONTAINS, INCLUDING THE PRINCIPLES OF DESIGN, IS THE EXCLUSIVE PROPERTY OF MAGSWITCH. NO PART OF THIS DOCUMENT OR THE INFORMATION CONTAINED HEREIN IS TO BE REPRODUCED, COPIED, OR IN WHOLE OR IN PART, WITHOUT THE WRITTEN PERMISSION OF MAGSWITCH. THE INFORMATION TO BE RELAYED TO ANY OTHER INDIVIDUAL OR COMPANY EXCEPT AS PROVIDED HEREIN IS STRICTLY CONFIDENTIAL AND AGREEMENT TO THESE RESTRICTIONS.			
8774 YATES DRIVE, SUITE 140 WILSONVILLE, OR 97148 303-468-0662 / FAX 303-951-9318		AR30 Classic DWG. NO. 8140480 SCALE 2:3 WEIGHT: 463.08 g	
SITE: B CAGE CODE:		PREVIOUS REV: 11 SHEET 1 OF 1	

1 2 3 4 5 6



Part Number 110631
 Revision Date: 11/11/2014