



Magswitch Technology, Inc.
 1355 Horizon Ave
 Lafayette, CO 80026
 Magswitch.com.au
 303-468-0662

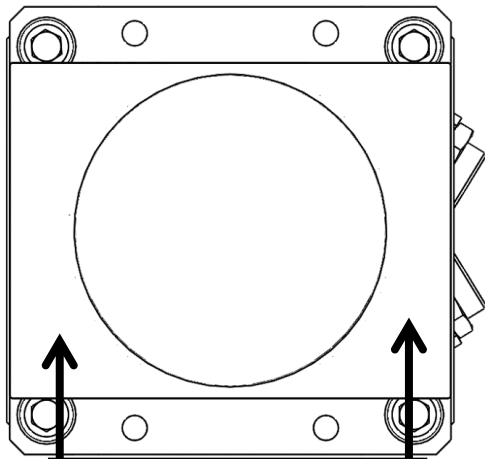
Magswitch AR110 Festo

P/N: 8140740

Magswitch “AR” series is explicitly designed for use with pole shoes. Pole shoes must be attached to the unit in order to maximize breakaway force and minimize residual magnetism. Each Magswitch “AR” unit comes equipped with one set of dual purpose pole shoes for flat or pipe/round stock. Simply flip the pole shoes around so the V shape is exposed for use on pipe and other rounds. The “AR” series allows complete customization of pole shapes to provide the best hold on your hard to grip parts.

Note: You may have to design and fabricate custom pole shoes depending on your application for optimal performance.

WARNING!
Do Not Operate Unless In
Contact With Ferrous Target



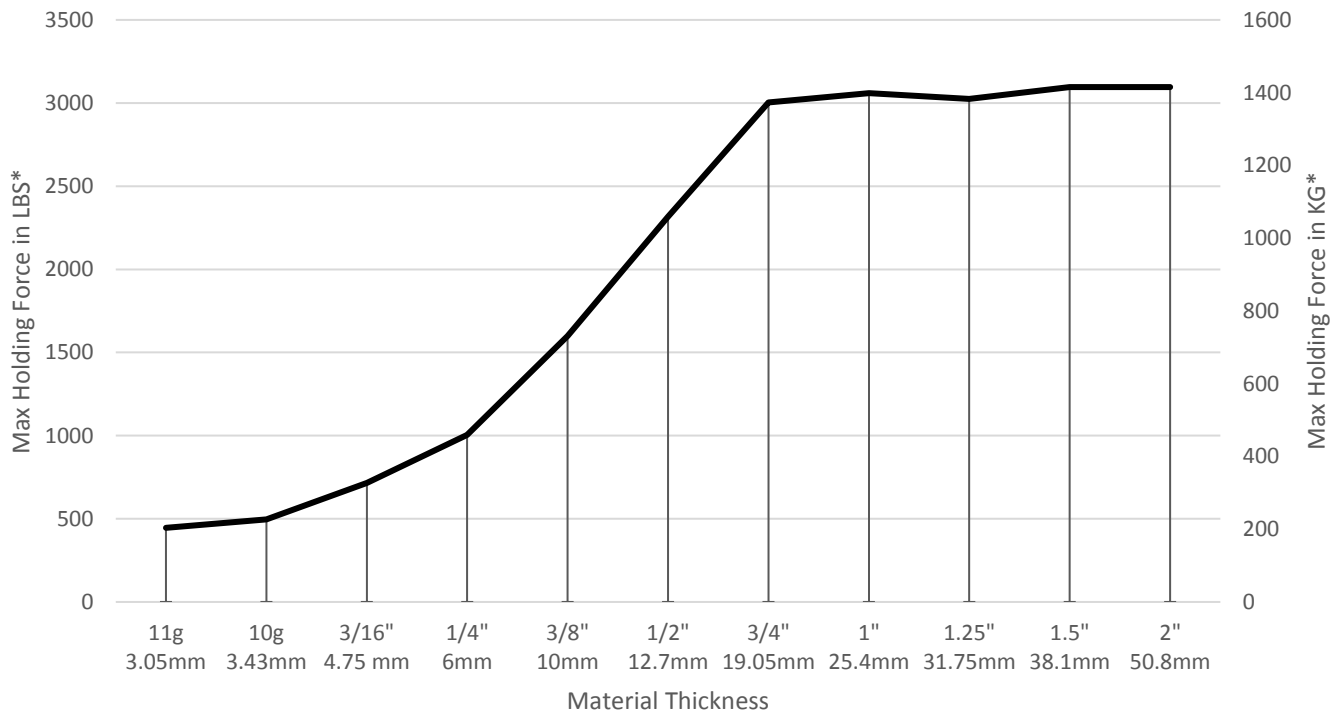
WORKING SURFACE

SPECIFICATIONS*	
P/N: 8140740 - MAGSWITCH AR110 Festo	
Max Breakaway**	3113 lbs/1415 kg
Working Load 4:1**	1037 lbs/471 kg
Full Saturation Thickness	1.5" / 38.1mm
Max Shear 2:1**	421 lbs/191.4 kg
Minimum Thickness for De-Stack	1.5" / 38.1mm
Min Actuation Pressure	50 psi/3.4x10 ⁵ pa
Max Actuation Pressure	145 psi/1x10 ⁶ pa
Net Weight	66 lbs/ 30 kg
Air Port Thread	G1/8
Overall Height	424.4 mm
Magnetic Pole Footprint	150 x 114 mm

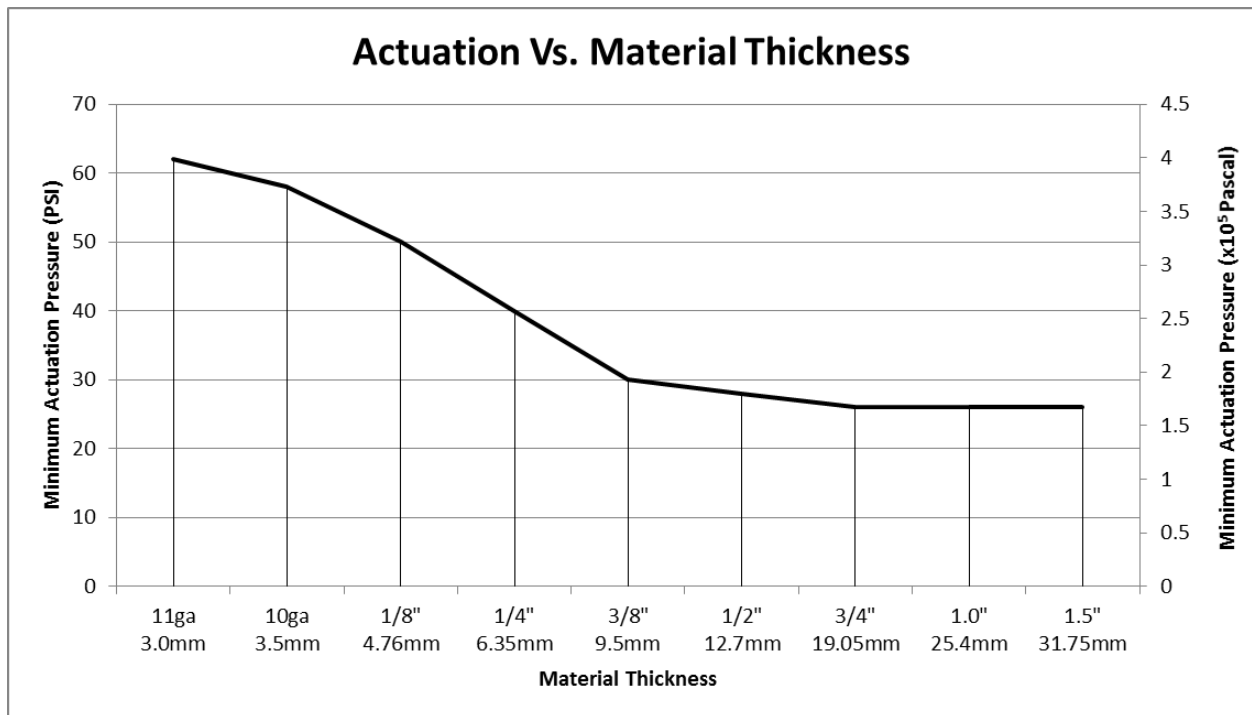
*All values are approximate please contact Magswitch Integrated Solutions for further detail
 ** Max Breakaway determined in laboratory environment on 2" thick SAE1018 Steel with surface roughness 63 micro inches. Many factors contribute to the actual breakaway force in each application. Always test the magswitch in each application before deployment. Refer to the magswitch information booklet for more information.



Magswitch AR110 Festo Breakaway Data vs. Thickness

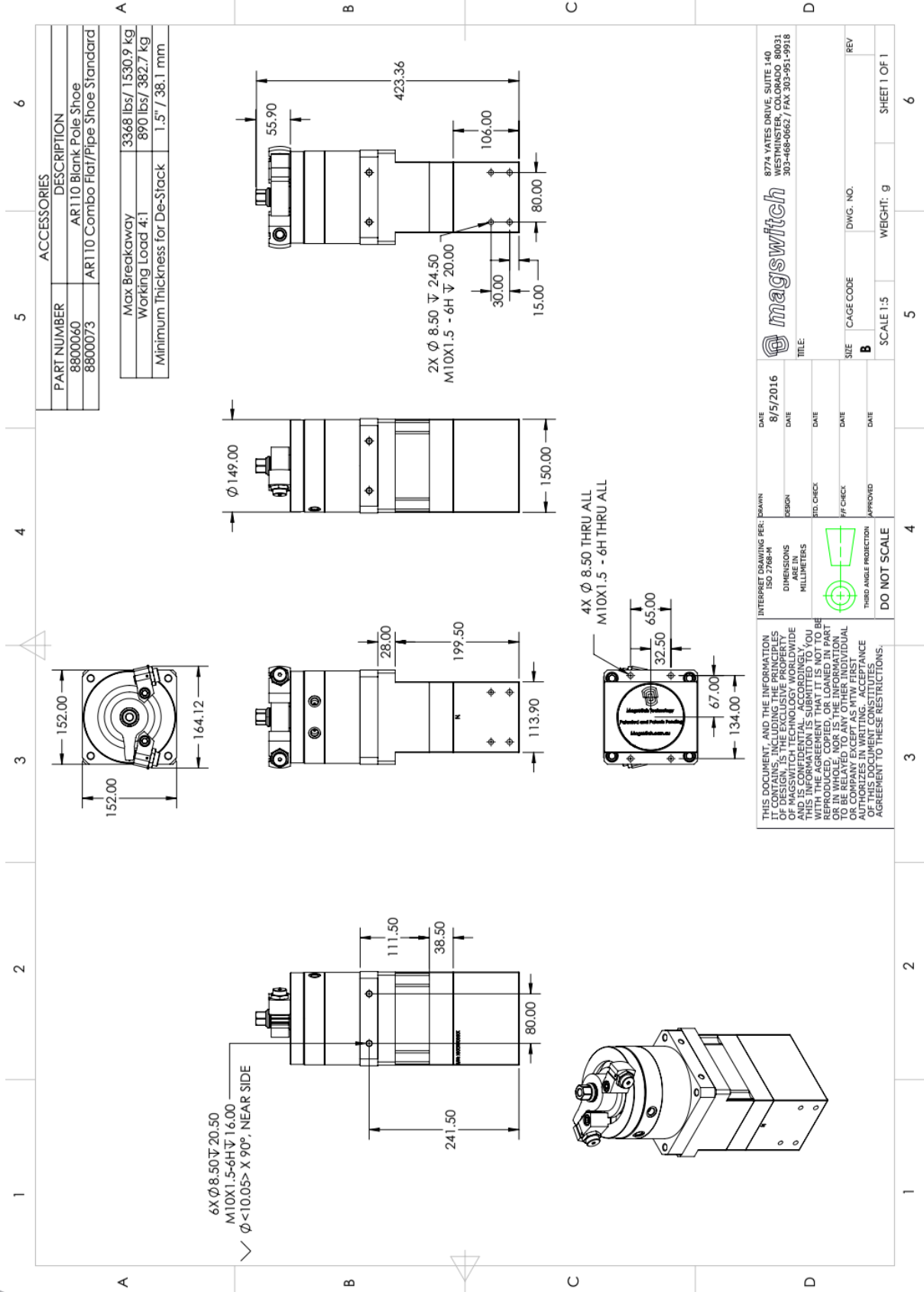


Actuation Vs. Material Thickness





Part Number 110989
 Revision Date: September 25, 2013



ACCESSORIES	
PART NUMBER	DESCRIPTION
8800060	AR110 Blank Pole Shoe
8800073	AR110 Combo Flat/Pipe Shoe Standard

Max Breakaway	3368 lbs / 1530.9 kg
Working Load 4:1	890 lbs / 382.7 kg
Minimum Thickness for De-Stack	1.5" / 38.1 mm

		DATE: 8/5/2016 DATE:	
INTERPRET DRAWING PER: DRAWN: 150 2768-M DIMENSIONS ARE IN MILLIMETERS		DESIGN:	
THIS DOCUMENT AND THE INFORMATION CONTAINED HEREIN ARE THE EXCLUSIVE PROPERTY OF MAGSWITCH TECHNOLOGY WORLDWIDE. THIS INFORMATION IS SUBMITTED TO YOU WITH THE AGREEMENT THAT IT IS NOT TO BE REPRODUCED, COPIED, OR LOANED IN PART OR COMPANY EXCEPT AS NOTED FIRST HEREON. THIS DOCUMENT CONSTITUTES AN AGREEMENT TO THESE RESTRICTIONS.		TITLE:	
DO NOT SCALE		THIRD ANGLE PROJECTION	
ID CHECK:		DATE:	
P/F CHECK:		DATE:	
APPROVED:		DATE:	
SITE:		DWG. NO.:	
SCALE: 1:5		WEIGHT: g	
SHEET 1 OF 1		6	