



Magswitch Technology, Inc.  
1355 Horizon Ave  
Lafayette, CO 80026  
Magswitch.com.au  
303-468-0662

## Magswitch M30AY ASC P/N: 8140263

Magswitch “AY” series utilizes field interaction between individual Magswitch units to manipulate magnetic field shape allowing for a deeper or shallower depth of field and increased holding in shear while utilizing a single actuator. This makes the “AY” series the perfect cost effective unit for de-stacking operations and lifting flat steel in shear.

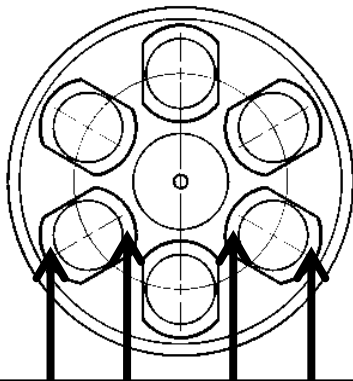


**WARNING!**  
**Do Not Operate Unless In  
Contact With Ferrous Target**

### SPECIFICATIONS

#### P/N: 8140263 - MAGSWITCH M30AY ASC

Max Breakaway*	525 lbs/238 kg
Safe Working Load*	131 lbs/59.4 kg
Full Saturation Thickness	10 ga/2.6 mm
Max Safe Shear*	50 lbs/22.7 kg
Minimum Thickness for De-Stack	10 ga/2.6 mm
Min Actuation Pressure	45 psi/3.1x10 <sup>5</sup> pa
Max Actuation Pressure	100 psi/6.9x10 <sup>5</sup> pa
Net Weight	6.4 lbs/2.9 kg
Air Port Thread	M5x0.8
Mounting Thread	M8x1.25
Overall Height	152.0 mm
Magnetic Pole Footprint	131 mm Diameter

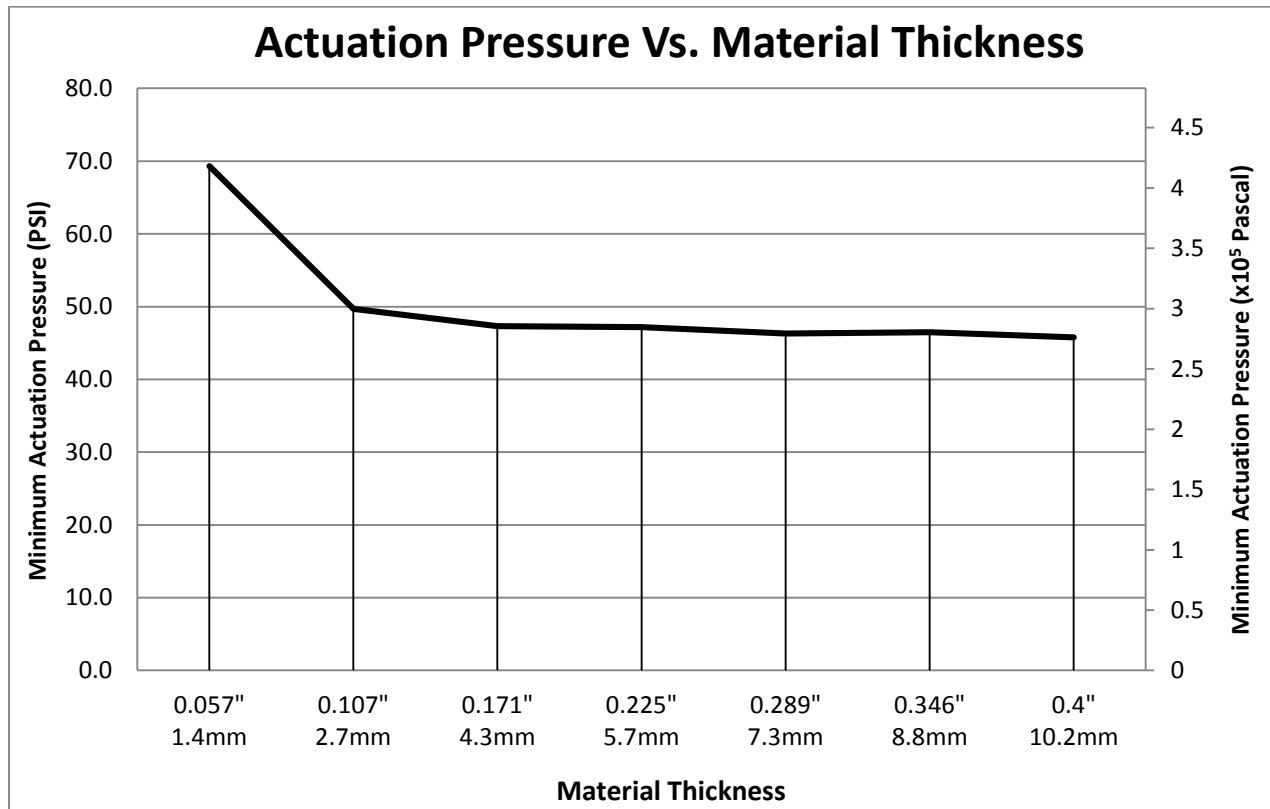
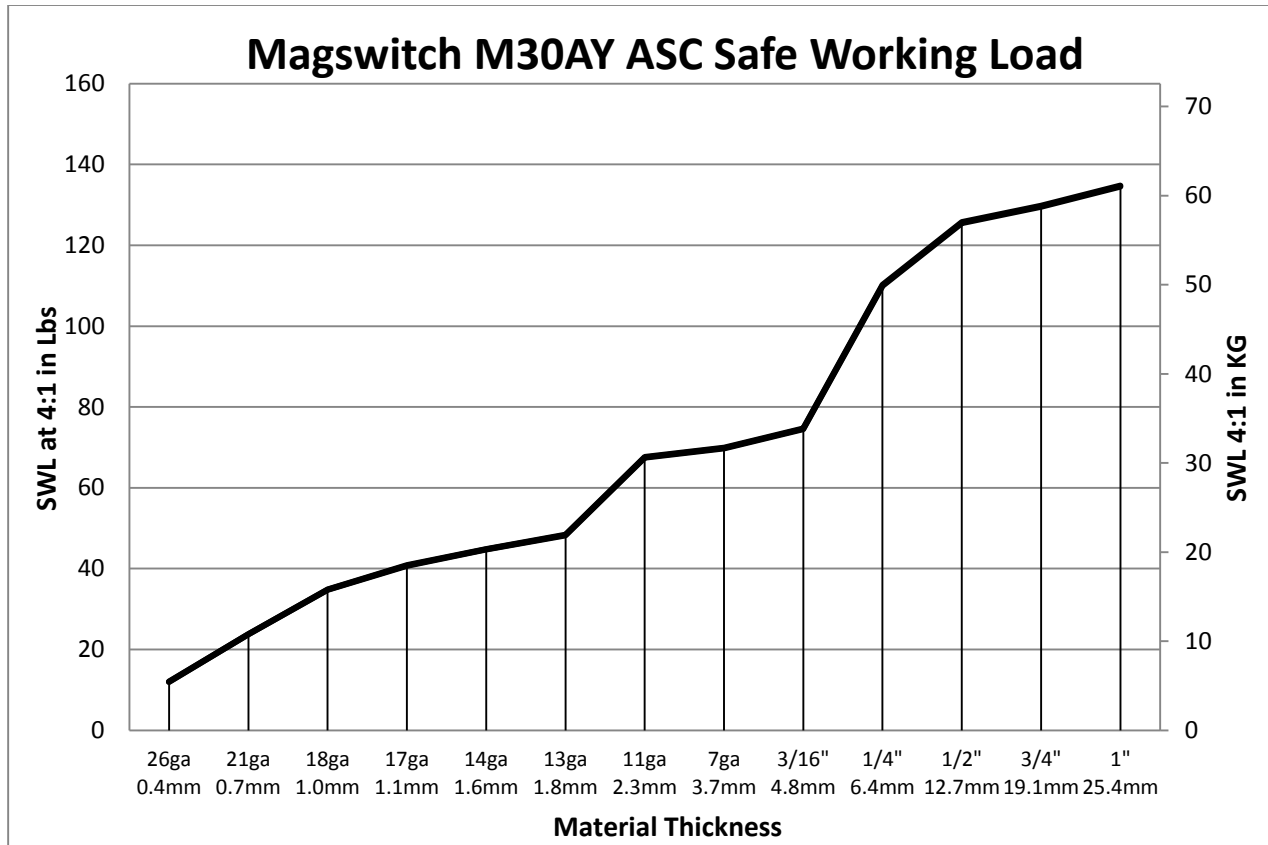


**WORKING SURFACE**

\* Max Breakaway determined in laboratory environment on 2" thick SAE1018 Steel with surface roughness 63 micro inches. Many factors contribute to the actual breakaway force in each application. Always test the magswitch in each application before deployment. Refer to the magswitch information booklet for more information.

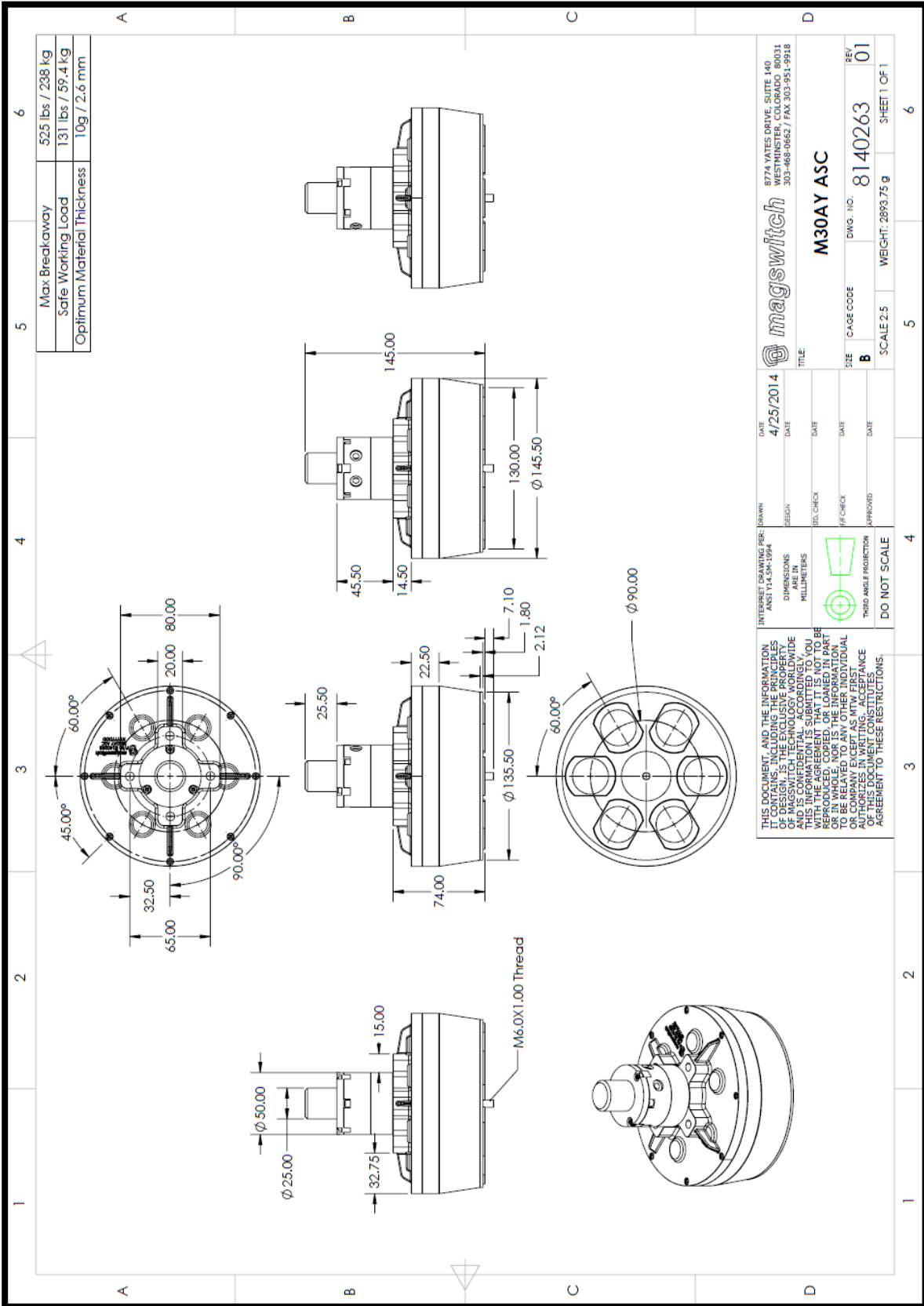
Part Number 110653

Revision Date: January 19, 2016



Part Number 110653  
 Revision Date: January 19, 2016

\* Max Breakaway determined in laboratory environment on 2" thick SAE1018 Steel with surface roughness 63 micro inches. Many factors contribute to the actual breakaway force in each application. Always test the magswitch in each application before deployment. Refer to the magswitch information booklet for more information.



Part Number 110653  
 Revision Date: January 19, 2016