

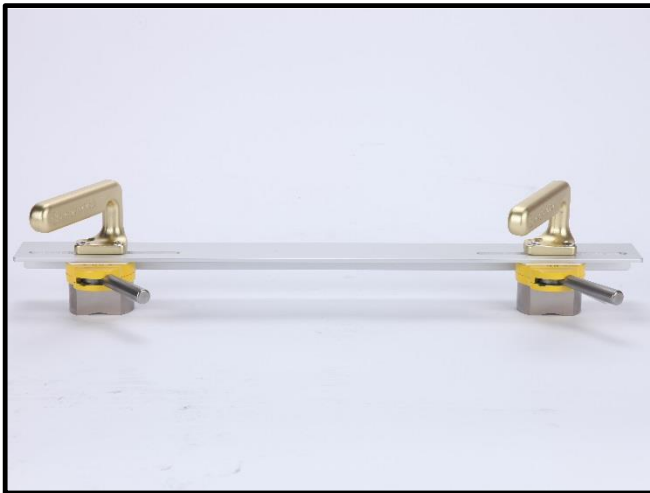


Magswitch Technology, Inc.
 1335 Horizon Ave
 Lafayette, CO 80026
 Magswitch.com.au
 303-468-0662

Magswitch 235 Dual Fixed Manual Hand Lifter

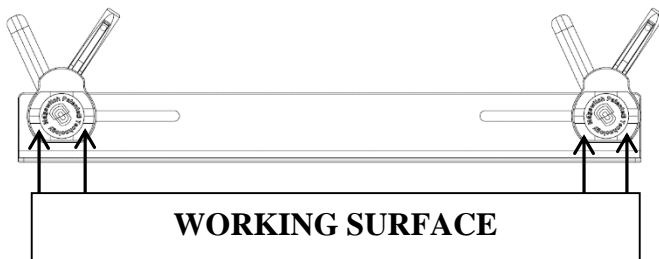
P/N: 8100821

The Magswitch fixed manual hand lifter series allows for safe and convenient lifting. With an ergonomic fixed handle, the 235 dual fixed hand lifter features a single 90° side-actuation lever with a locking mechanism that prevents accidental release. It is perfect for handling sharp or dirty steel or scrap. It can be used for dragging or handling small steel sheet.



WARNING!
Do Not Operate Unless In Contact With Ferrous Target

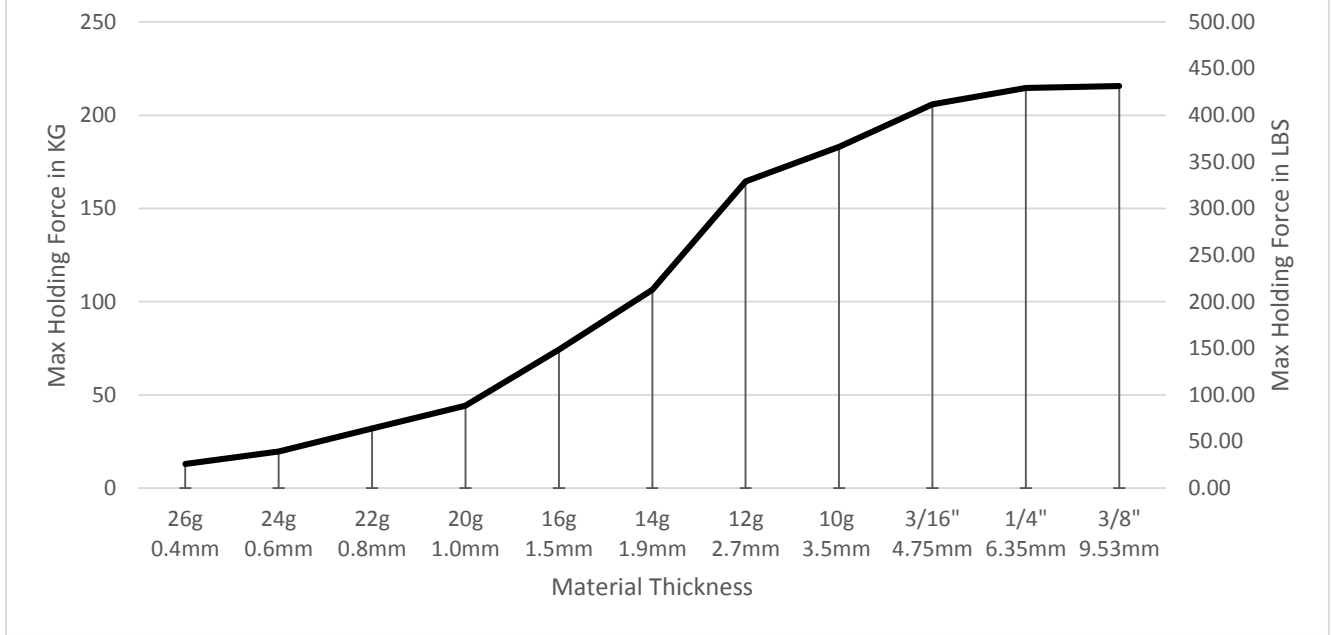
SPECIFICATIONS	
P/N: 8100821 - MAGSWITCH 235 DUAL FIXED MANUAL HAND LIFTER	
Max Breakaway*	470 lbs/213 kg
Full Saturation Thickness	3/16in / 4.75mm
Net Weight	4.3 lbs/1.9 kg
Overall Height	4.4in/111.4mm
Magnetic Pole Footprint	2 x 56mm x 42 mm



Part Number 1101133
 Revision Date: March 25, 2015

* Max Breakaway determined in laboratory environment on 2" thick SAE1018 Steel with surface roughness 63 micro inches. Many factors contribute to the actual breakaway force in each application. Always test the magswitch in each application before deployment. Refer to the magswitch information booklet for more information.

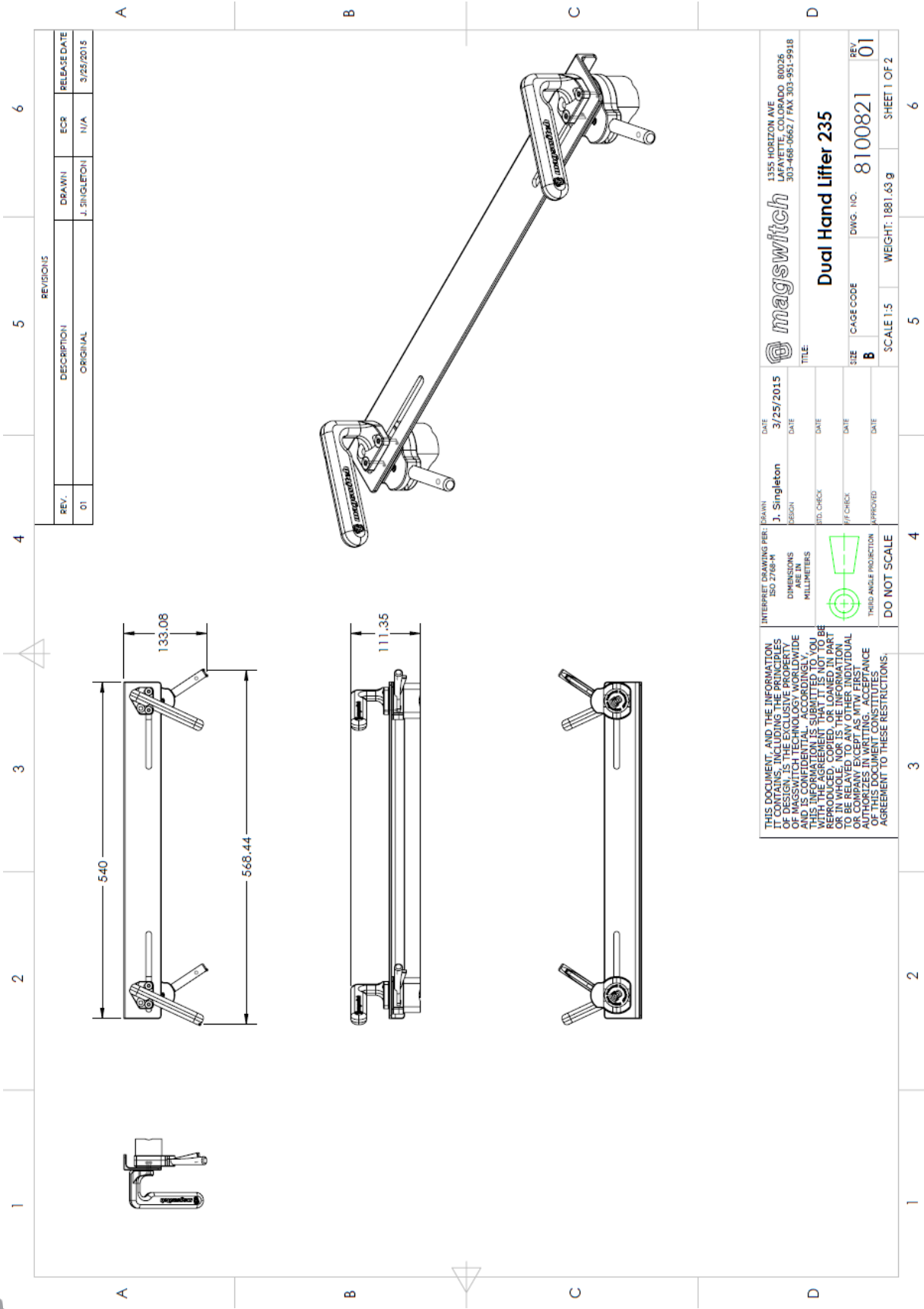
Magswitch 8100821 Breakaway Data vs. Thickness*



*Data represents the combined Max Breakaway of the two individual magnet assemblies
** Max Breakaway determined in laboratory environment on 2" thick SAE1018 Steel with surface roughness 63 micro inches. Many factors contribute to the actual breakaway force in each application. Always test the magswitch in each application before deployment. Refer to the magswitch information booklet for more information.



Part Number 1101133
Revision Date: March 25, 2015



REVISIONS			
REV.	DESCRIPTION	DRAWN	RELEASE DATE
01	ORIGINAL	J. SINGLETON	3/25/2015

INTERPRET DRAWING PER: ISO 2768-M DIMENSIONS ARE IN MILLIMETERS		DRAWN: J. Singleton DATE: 3/25/2015	1355 HORIZON AVE LAFALETTE, COLORADO 80026 303-468-0662 / FAX 303-951-9918
THIS DOCUMENT, AND THE INFORMATION IT CONTAINS, INCLUDING THE PRINCIPLES OF DESIGN, IS THE EXCLUSIVE PROPERTY OF MAGSWITCH. IT IS CONFIDENTIAL AND IS NOT TO BE REPRODUCED, COPIED, OR IN ANY MANNER DISCLOSED TO ANY OTHER INDIVIDUAL OR ENTITY WITHOUT THE WRITTEN CONSENT OF MAGSWITCH. THE INFORMATION CONTAINED HEREIN IS NOT TO BE RELAYED TO ANY OTHER INDIVIDUAL OR ENTITY WITHOUT THE WRITTEN CONSENT OF MAGSWITCH. THE INFORMATION CONTAINED HEREIN IS NOT TO BE REPRODUCED, COPIED, OR IN ANY MANNER DISCLOSED TO ANY OTHER INDIVIDUAL OR ENTITY WITHOUT THE WRITTEN CONSENT OF MAGSWITCH. THE INFORMATION CONTAINED HEREIN IS NOT TO BE RELAYED TO ANY OTHER INDIVIDUAL OR ENTITY WITHOUT THE WRITTEN CONSENT OF MAGSWITCH.		TITLE: Dual Hand Lifter 235 DWG. NO.: 8100821 SCALE: 1:5 WEIGHT: 1881.63 g	REV: 01 SHEET 1 OF 2



Part Number 1101133
 Revision Date: March 25, 2015