



Magswitch Technology, Inc.
 8774 Yates Dr. Suite 140
 Westminster, CO 80031
 Magswitch.com.au
 303-468-0662

Magswitch MagWheel 95

P/N: 8100401

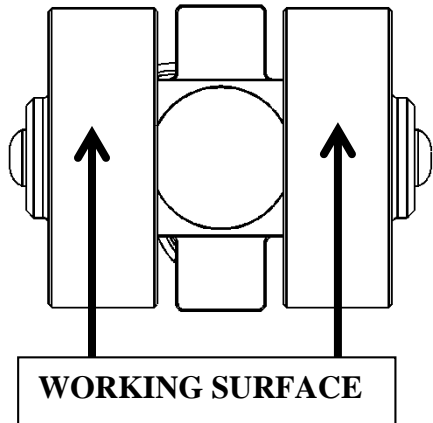
The Magswitch MagWheel offers powerful connection for drive units on any ferrous surface enabling flat, vertical or inverse travel. Applications include positioning and guiding, sheet feeding, pipe handling, fitting and fabrication and numerous OEM automation and fixturing applications. MagWheel can be fitted with drive units for mobile applications. MagWheel results in efficiency, new applications and productive solutions.

Underneath the patented MagWheel design is the highly functional AR Housing. Through clever innovation of the original Magswitch, the MagWheel provides all the features of a standard Magswitch on the move. The magnetic flux path through the wheels means climbing, carrying and driving anywhere above or below a ferrous surface is now a reliable, fail-safe reality.



WARNING!
Do Not Operate Unless In
Contact With Ferrous Target

SPECIFICATIONS	
P/N: 8100401 - MAGSWITCH MagWheel 95	
Max Breakaway*	38.5 lbs/17.5 kg
Net Weight	0.66 lbs/0.3 kg
Overall Height	56.75mm
Magnetic Pole Footprint	41mm x 45.87mm



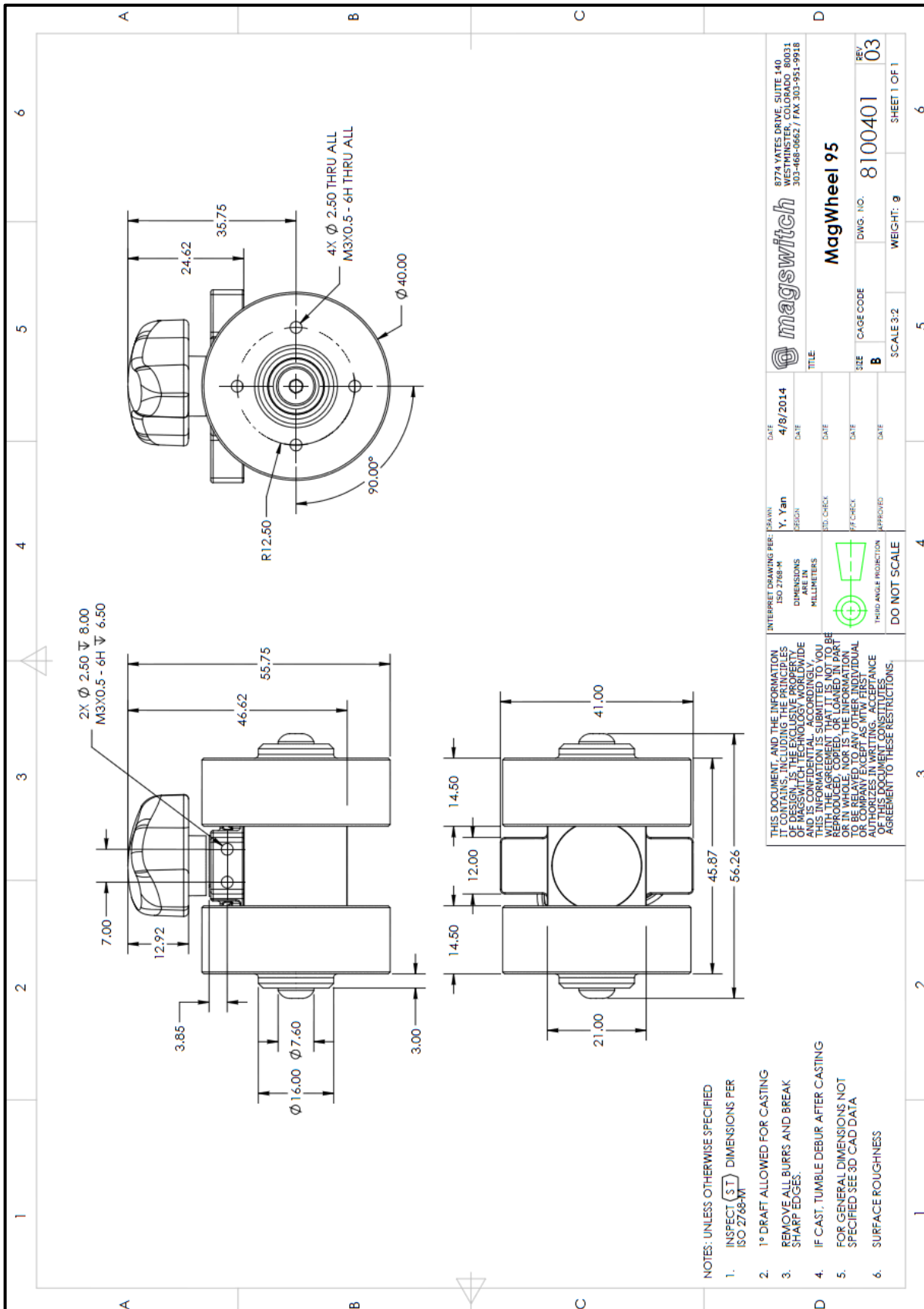
Part Number 110926
 Revision Date: April 8, 2014

* Max Breakaway determined in laboratory environment on 2" thick SAE1018 Steel with surface roughness 63 micro inches. Many factors contribute to the actual breakaway force in each application. Always test the magswitch in each application before deployment. Refer to the magswitch information booklet for more information.



Part Number 110926
Revision Date: April 8, 2014

* Max Breakaway determined in laboratory environment on 2" thick SAE1018 Steel with surface roughness 63 micro inches. Many factors contribute to the actual breakaway force in each application. Always test the magswitch in each application before deployment. Refer to the magswitch information booklet for more information.



- NOTES: UNLESS OTHERWISE SPECIFIED
- INSPECT (S.T.) DIMENSIONS PER ISO 2768-MT
 - 1° DRAFT ALLOWED FOR CASTING
 - REMOVE ALL BURRS AND BREAK SHARP EDGES.
 - IF CAST, TUMBLE DEBUR AFTER CASTING
 - FOR GENERAL DIMENSIONS NOT SPECIFIED SEE 3D CAD DATA
 - SURFACE ROUGHNESS

INTERPRET DRAWING PER: ISO 2768-M DIMENSIONS ARE IN MILLIMETERS		DATE 4/8/2014	DRAWN Y. Yain	8774 YATES DRIVE, SUITE 440 WILSONVILLE, OR 97154 303-468-6662 / FAX 303-991-9918
THIS DOCUMENT, AND THE INFORMATION IT CONTAINS, INCLUDING THE PRINCIPLES OF DESIGN, IS THE EXCLUSIVE PROPERTY OF MAGSWITCH TECHNOLOGY WORLDWIDE. THIS INFORMATION IS SUBMITTED TO YOU WITH THE AGREEMENT THAT IT IS NOT TO BE REPRODUCED OR TRANSMITTED IN ANY FORM OR IN ANY MANNER, NOR IS THE INFORMATION TO BE RELAYED TO ANY OTHER INDIVIDUAL OR COMPANY EXCEPT AS MAY BE REQUIRED BY THE TERMS OF THE LICENSE AGREEMENT OF THIS DOCUMENT CONSTITUTES AN AGREEMENT TO THESE RESTRICTIONS.		DATE DATE DATE DATE DATE	3RD CHECK 2ND CHECK 1ST CHECK APPROVED	magswitch MagWheel 95
THIRD ANGLE PROJECTION DO NOT SCALE		TITLE B	DWG. NO. 8100401	REV. 03
SCALE 3:2		WEIGHT: g	SHEET 1 OF 1	