



TM

Magswitch Technology, Inc.
 1355 Horizon Ave
 Lafayette, CO 80026
 Magswitch.com.au
 303-468-0662

Magswitch AR50 NAAMS High Heat

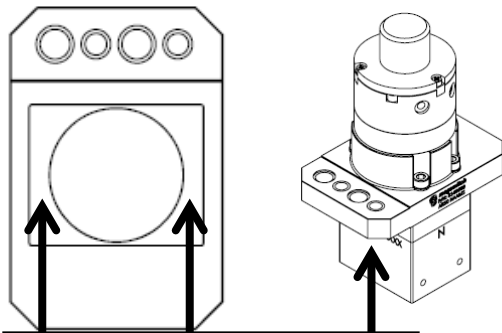
P/N: 8140721

Magswitch “AR” series is explicitly designed for use with pole shoes. Pole shoes must be attached to the unit in order to maximize breakaway force and minimize residual magnetism. Each Magswitch “AR” unit comes equipped with one set of dual purpose pole shoes for flat or pipe/round stock. Simply flip the pole shoes around so the V shape is exposed for use on pipe and other rounds. The “AR” series allows complete customization of pole shapes to provide the best hold on your hard to grip parts. The “NAAMS” Mount is a universal, consistent, and precision effective way to attach these devices to robots and other mounts.

Note: You may have to design and fabricate custom pole shoes depending on your application for optimal performance.



WARNING!
Do Not Operate Unless In
Contact With Ferrous Target



WORKING SURFACE

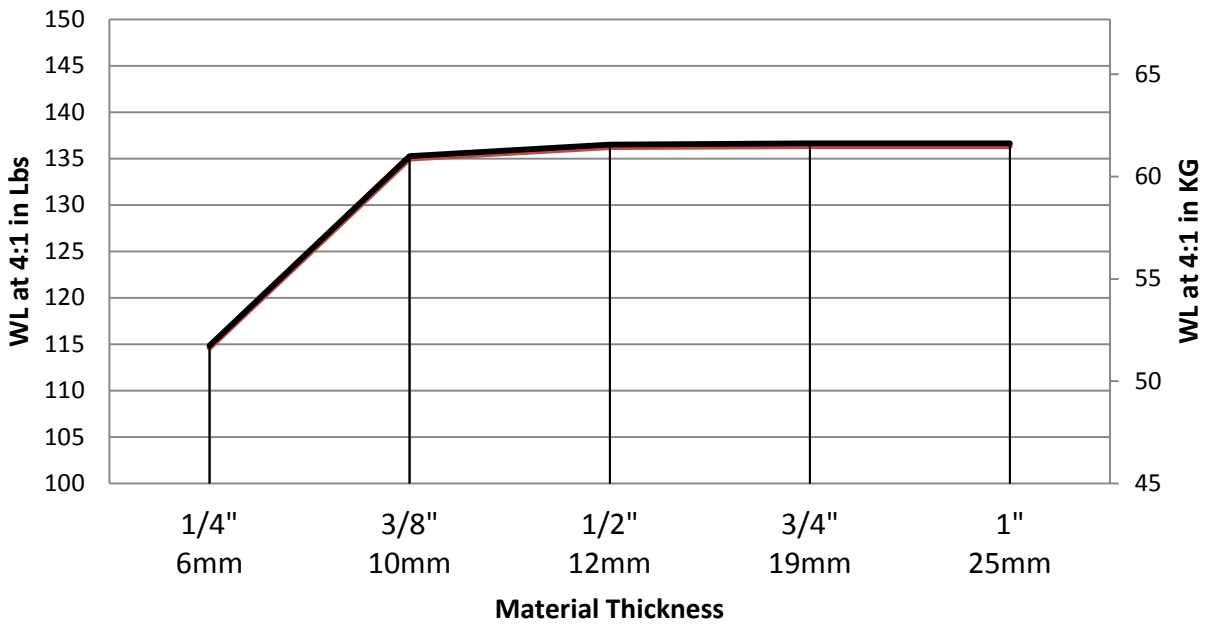
SPECIFICATIONS	
P/N: 8140721 - MAGSWITCH AR50 NAAMS High Heat	
Max Breakaway*	548 lbs/248.6 kg
Working Load 4:1*	137 lbs/62.1 kg
Full Saturation Thickness	3/8" / 9.5 mm
Max Shear 2:1*	34 lbs/15.4 kg
Minimum Thickness for De-Stack	3/8" / 9.5 mm
Min Actuation Pressure	20psi / 1.4x10 ⁵ pa
Max Actuation Pressure	145 psi / 1x10 ⁶ pa
Off Target Actuation Pressure	55 psi/ 3.8x10 ⁵ pa
Net Weight	6.1 lbs / 2.8 kg
Air Port Thread	M5x0.8
NAAMS Mount	4:M10x1.5/ 4: Ø 8.0
Overall Height	191mm
Magnetic Pole Footprint	64x51.75 mm



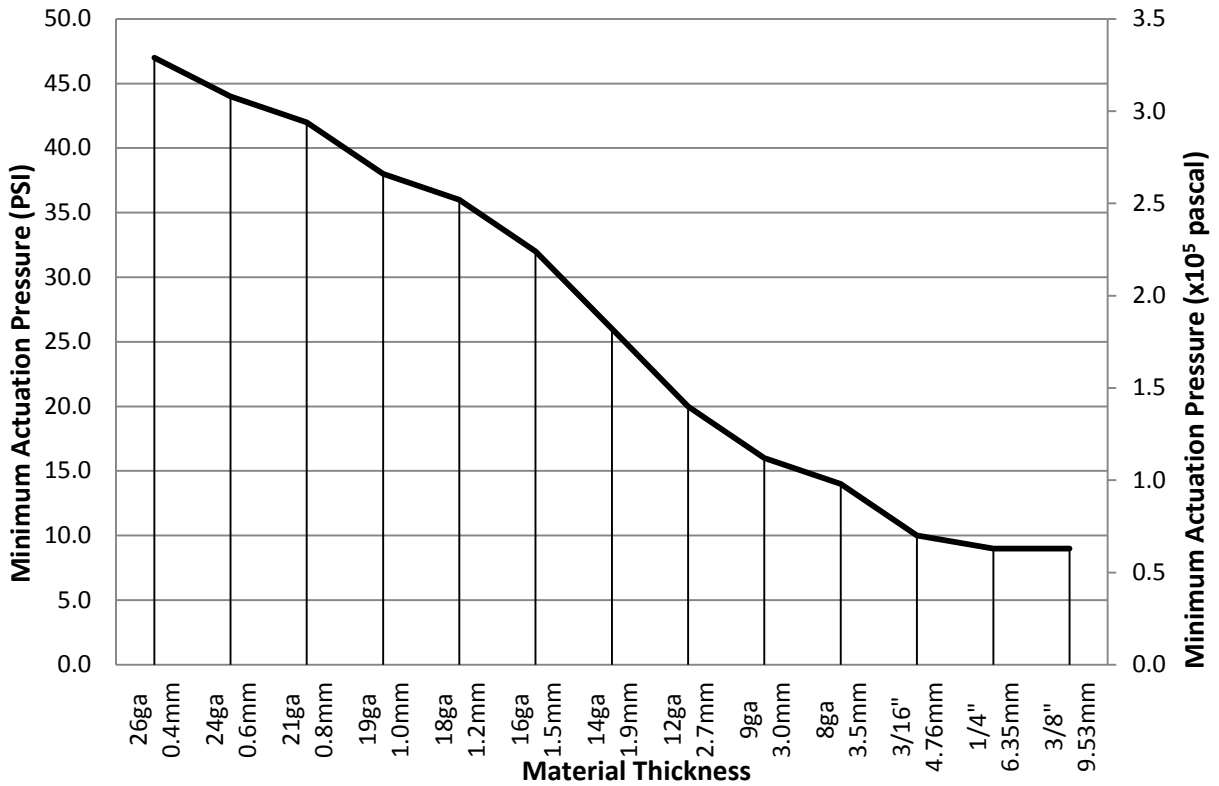
Part Number 110891
 Revision Date: September 8, 2015

* Max Breakaway determined in laboratory environment on 2" thick SAE1018 Steel with surface roughness 63 micro inches. Many factors contribute to the actual breakaway force in each application. Always test the magswitch in each application before deployment. Refer to the magswitch information booklet for more information.

Magswitch AR50 NAAMS Working Load

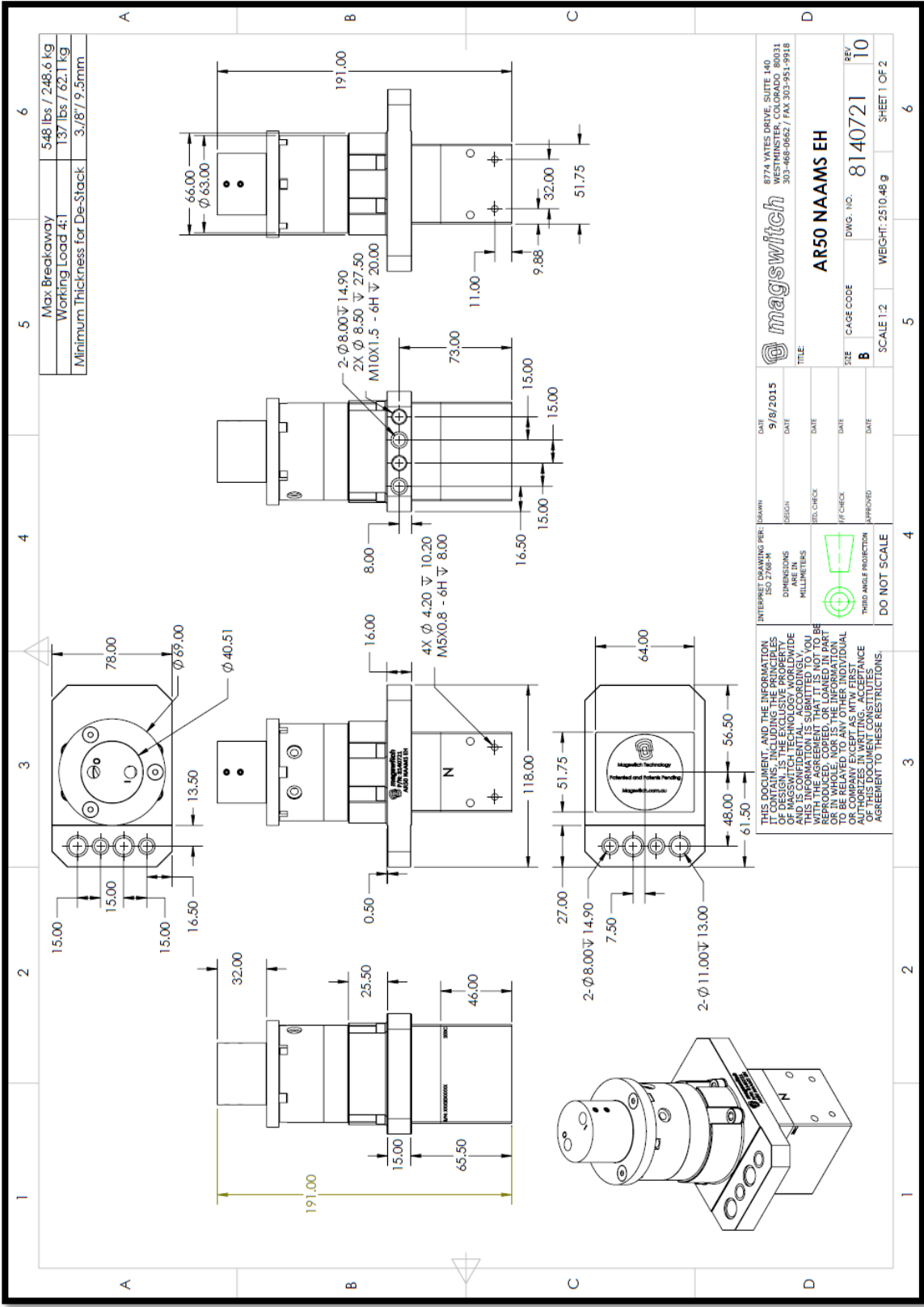


Actuation Pressure Vs. Material Thickness



Part Number 110891
Revision Date: September 8, 2015

* Max Breakaway determined in laboratory environment on 2" thick SAE1018 Steel with surface roughness 63 micro inches. Many factors contribute to the actual breakaway force in each application. Always test the magswitch in each application before deployment. Refer to the magswitch information booklet for more information.



		8774 VATES DRIVE SUITE 140 WESTMINSTER, COLORADO 80031 303-468-0662 / FAX 303-951-9918	
TITLE: AR50 NAAMS EH			
DATE	9/8/2015	DWG. NO.	8140721
DESIGN		CAGE CODE	B
DRG. CHECK		REV	10
PFC CHECK		SCALE	1:2
APPROVED		WEIGHT	2510.48 g
		SHEET	1 OF 2



Part Number 110891
 Revision Date: September 8, 2015