



Magswitch Technology, Inc.
1355 Horizon Ave
Lafayette, CO 80026
Magswitch.com.au
303-468-0662

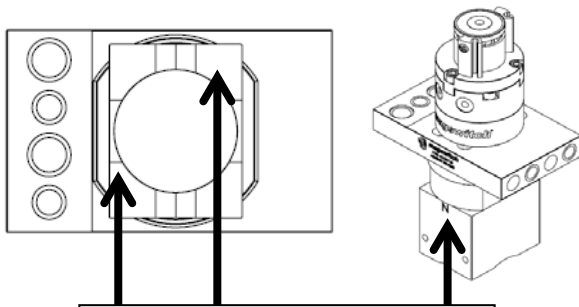
Magswitch AR40 NAAMS High Heat P/N: 8140720

Magswitch “AR” series is explicitly designed for use with pole shoes. Pole shoes must be attached to the unit in order to maximize breakaway force and minimize residual magnetism. Each Magswitch “AR” unit comes equipped with one set of dual purpose pole shoes for flat or pipe/round stock. Simply flip the pole shoes around so the V shape is exposed for use on pipe and other rounds. The “AR” series allows complete customization of pole shapes to provide the best hold on your hard to grip parts. The “NAAMS” Mount is a universal, consistent, and precision effective way to attach these devices to robots and other mounts.

Note: You may have to design and fabricate custom pole shoes depending on your application for optimal performance.



WARNING!
**Do Not Operate Unless In
Contact With Ferrous Target**



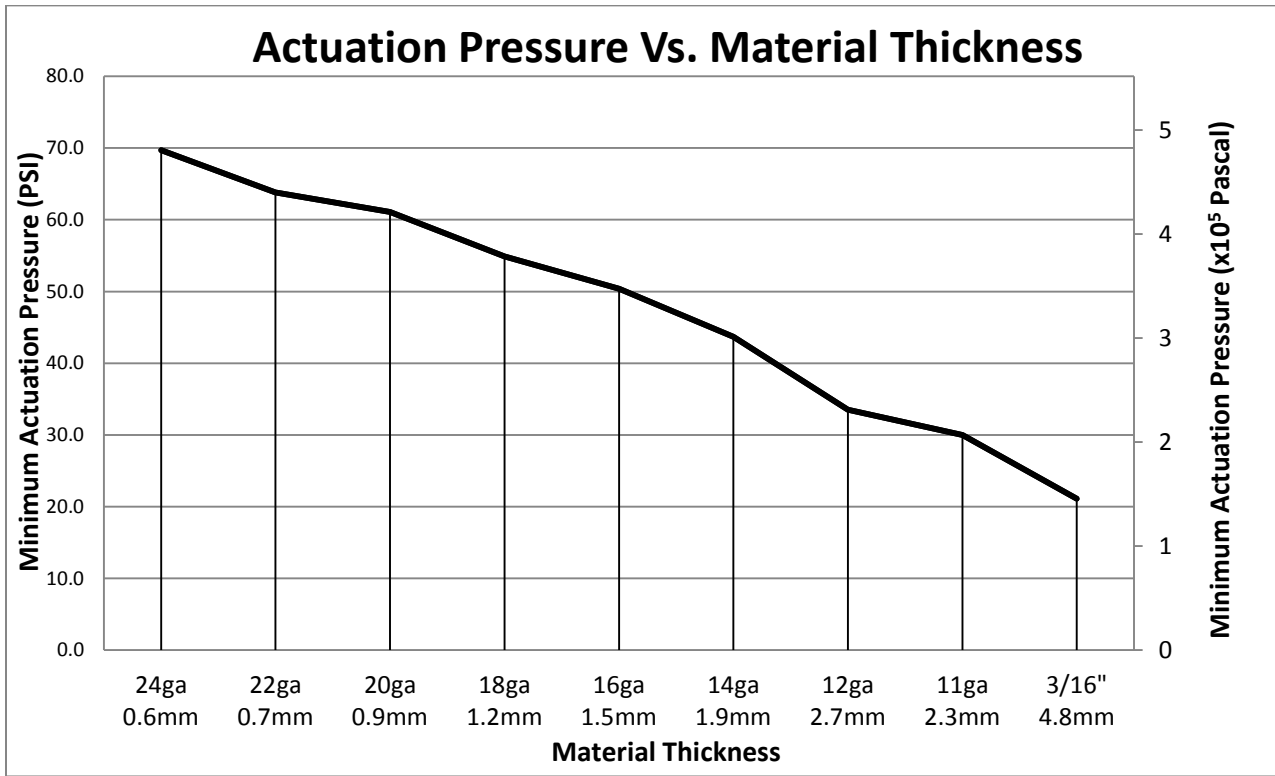
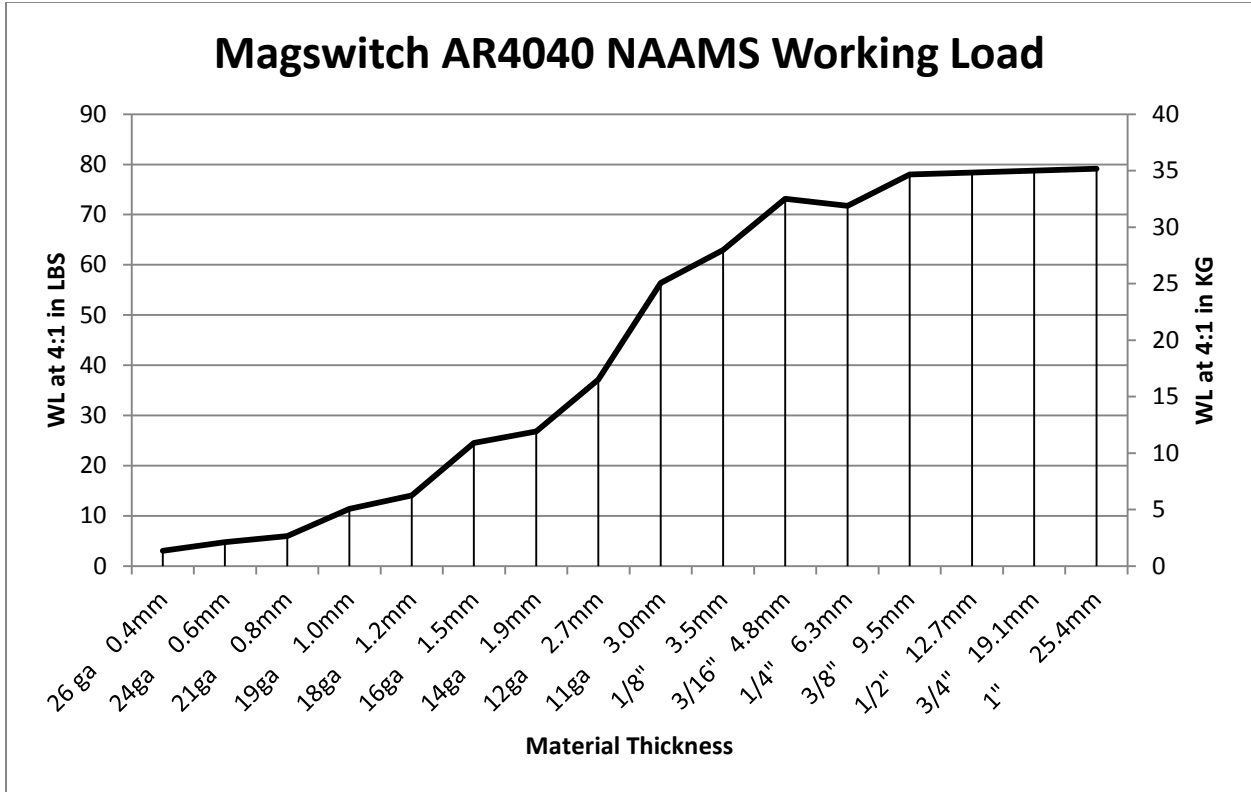
WORKING SURFACE

SPECIFICATIONS	
P/N: 8140720 - MAGSWITCH AR40 NAAMS High Heat	
Max Breakaway*	381 lbs/ 173 kg
Working Load 4:1*	95.25 lbs/ 43.3 kg
Full Saturation Thickness	3/8" / 9.5 mm
Max Shear 2:1*	73.6 lbs/ 33.4 kg
Minimum Thickness for De-Stack	3/8" / 9.5 mm
Min Actuation Pressure	30 psi / 2.1x10 ⁵ pa
Max Actuation Pressure	145 psi / 1x10 ⁶ pa
Off Target Actuation Pressure	84.5 psi/ 5.8 x10 ⁵ pa
Net Weight	3.7 lbs / 1.85 kg
Air Port Thread	M5x0.8
NAAMS Mount	4:M10x1.5/ 4: Ø 8.0
Overall Height	164.8 mm
Magnetic Pole Footprint	55x42 mm

* Max Breakaway determined in laboratory environment on 2" thick SAE1018 Steel with surface roughness 63 micro inches. Many factors contribute to the actual breakaway force in each application. Always test the magswitch in each application before deployment. Refer to the magswitch information booklet for more information.

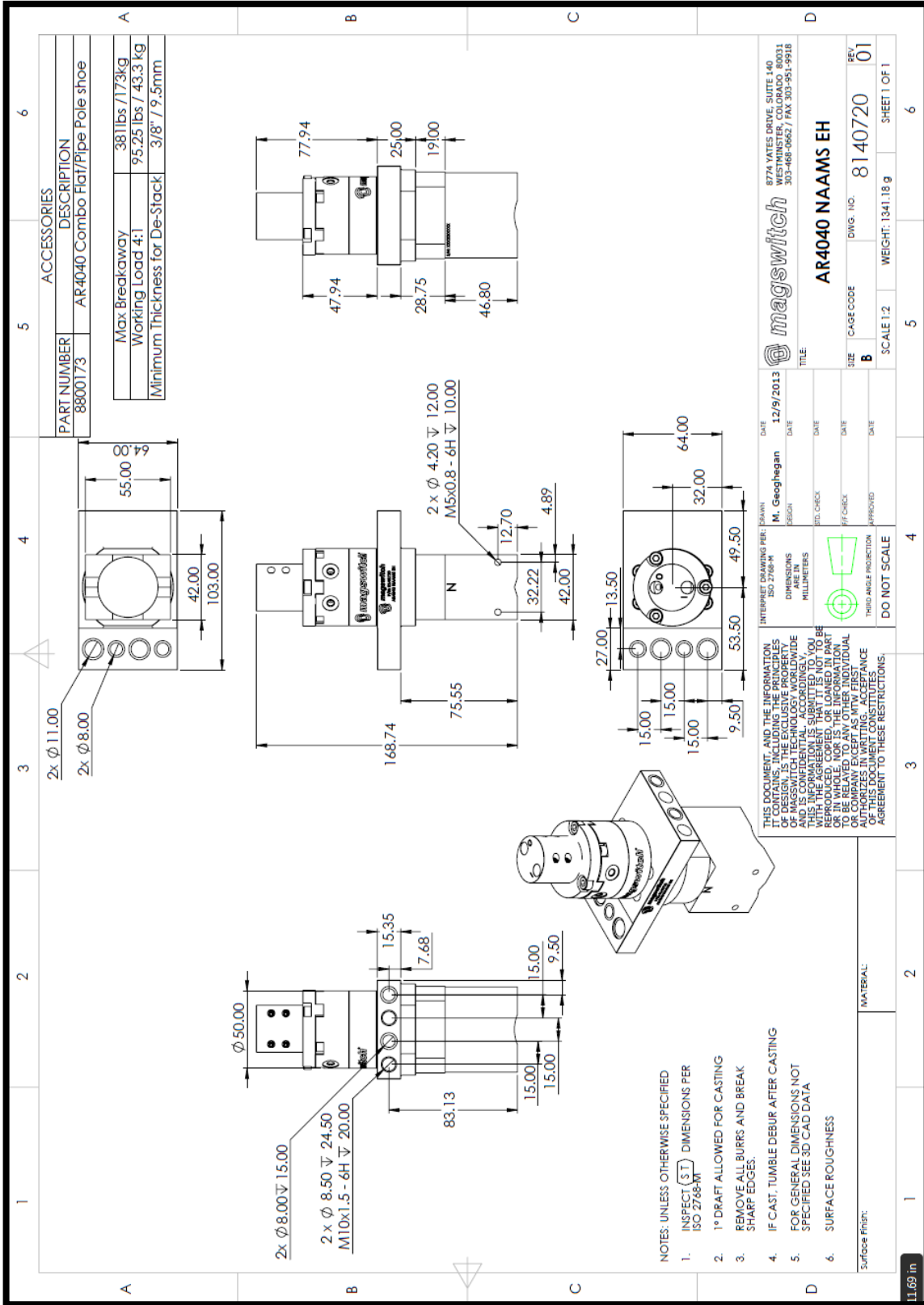
Part Number 110890

Revision Date: October 14, 2014



Part Number 110890
 Revision Date: October 14, 2014

* Max Breakaway determined in laboratory environment on 2" thick SAE1018 Steel with surface roughness 63 micro inches. Many factors contribute to the actual breakaway force in each application. Always test the magswitch in each application before deployment. Refer to the magswitch information booklet for more information.



Part Number 110890
 Revision Date: October 14, 2014

11.69 in