



Magswitch Technology, Inc.
1355 Horizon Ave
Lafayette, CO 80026
Magswitch.com.au
303-468-0662

Magswitch AR20 NAAMS High Heat P/N: 8140718

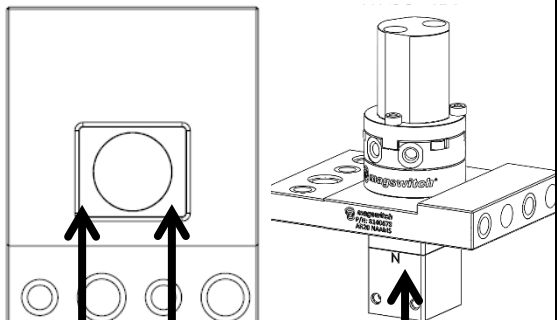
Magswitch “AR” series is explicitly designed for use with pole shoes. Pole shoes must be attached to the unit in order to maximize breakaway force and minimize residual magnetism. Each Magswitch “AR” unit comes equipped with one set of dual purpose pole shoes for flat or pipe/round stock. Simply flip the pole shoes around so the V shape is exposed for use on pipe and other rounds. The “AR” series allows complete customization of pole shapes to provide the best hold on your hard to grip parts. The “NAAMS” Mount is a universal, consistent, and precision effective way to attach these devices to robots and other mounts.

Note: You may have to design and fabricate custom pole shoes depending on your application for optimal performance.



WARNING!
**Do Not Operate Unless In
Contact With Ferrous Target**

SPECIFICATIONS	
P/N: 8140718 - MAGSWITCH AR20 NAAMS High Heat	
Max Breakaway*	63 lbs/28.6 kg
Working Load 4:1*	15.75 lbs/7.2 kg
Full Saturation Thickness	11 ga/3.0 mm
Max Shear 2:1*	6 lbs/2.7 kg
Minimum Thickness for De-Stack	11 ga/3.0 mm
Min Actuation Pressure	20 psi/1.4x10 ⁵ pa
Max Actuation Pressure	100 psi/6.9x10 ⁵ pa
Off Target Actuation Pressure	39 psi/ 2.6x10 ⁵ pa
Net Weight	0.85 lbs/0.39 kg
Air Port Thread	M5x0.8
NAAMS Mount	4: M8x1.25/4: Ø 6.0
Overall Height	98.50 mm
Magnetic Pole Footprint	26x22 mm

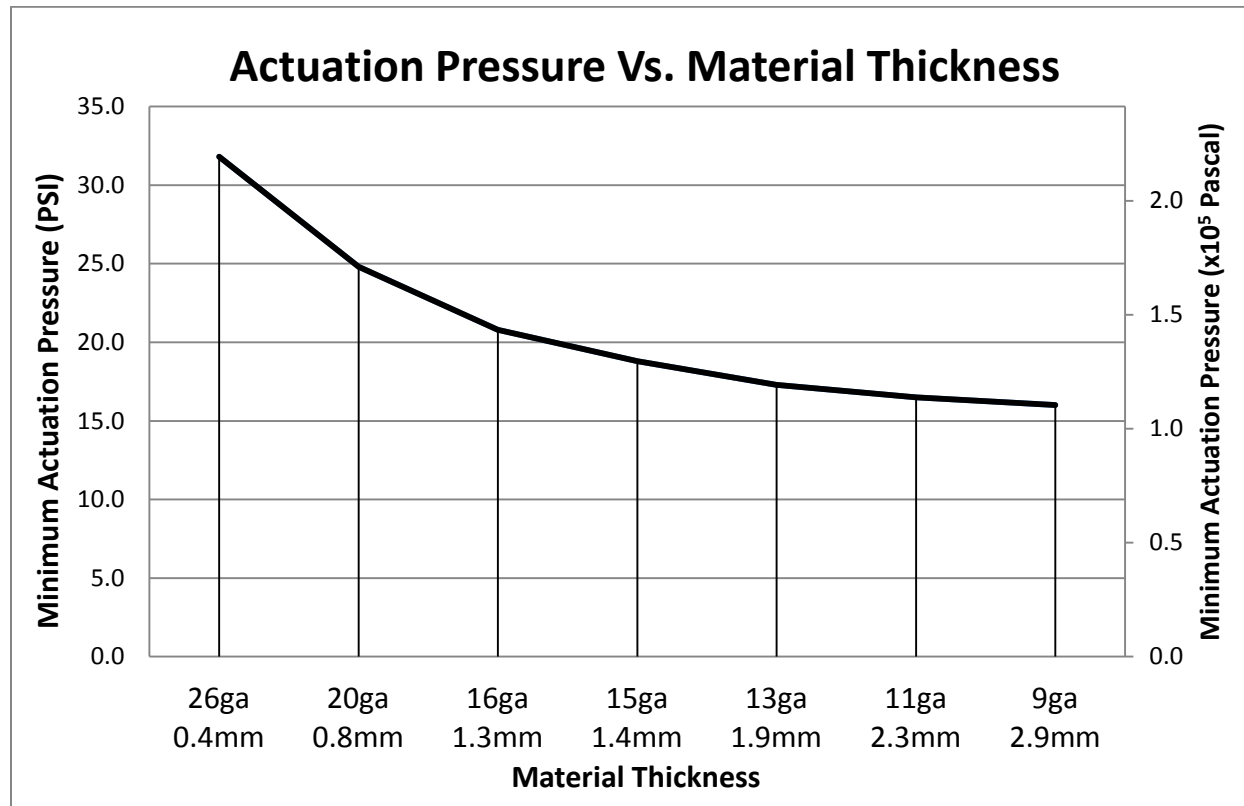
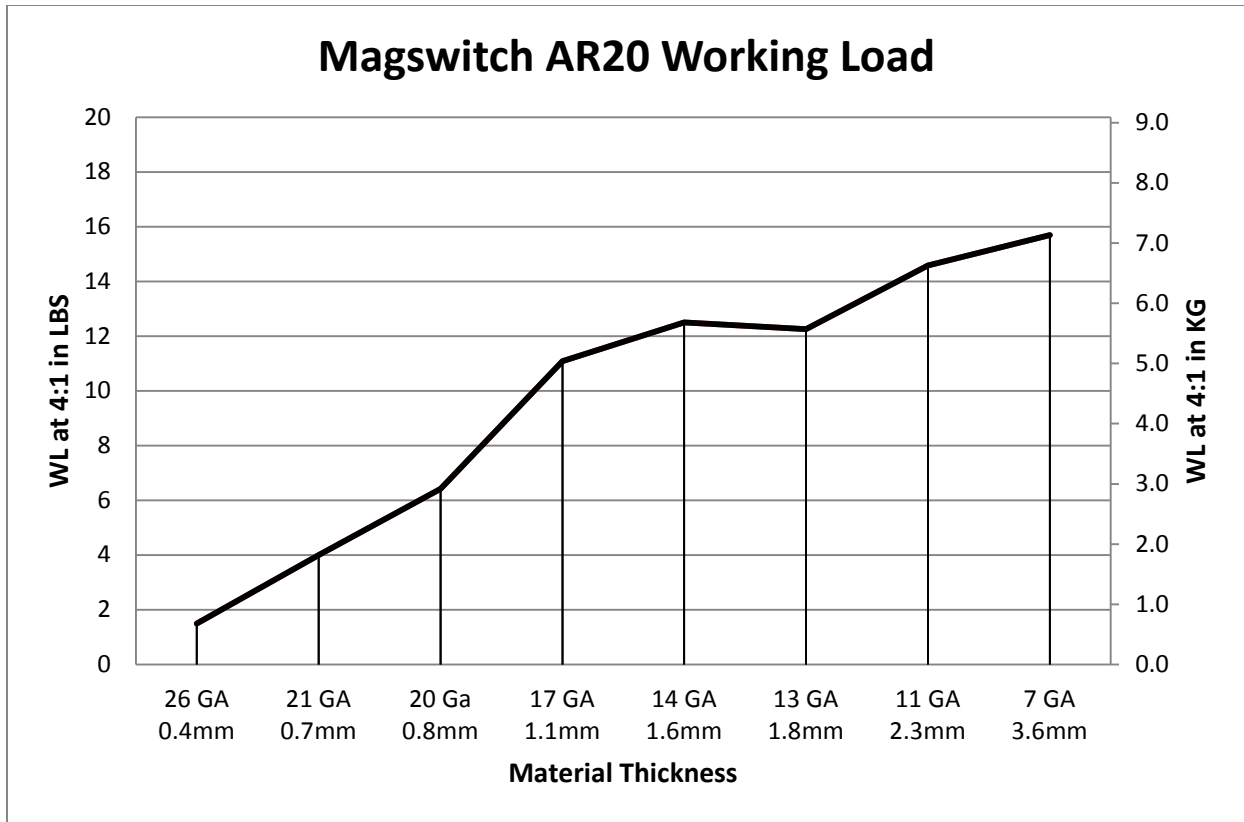


WORKING SURFACE

Part Number 110888

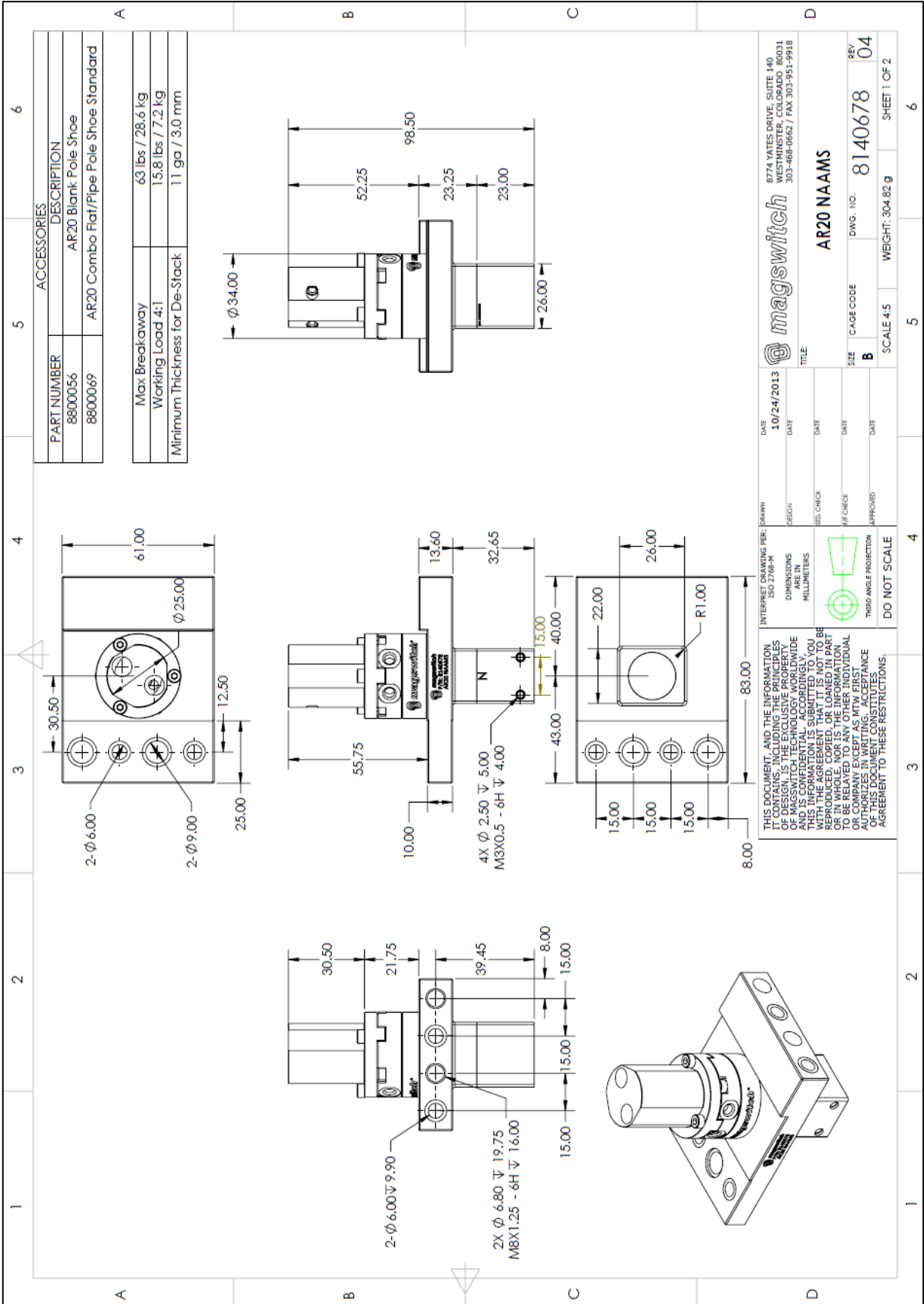
Revision Date: September 24, 2013

* Max Breakaway determined in laboratory environment on 2" thick SAE1018 Steel with surface roughness 63 micro inches. Many factors contribute to the actual breakaway force in each application. Always test the magswitch in each application before deployment. Refer to the magswitch information booklet for more information.



Part Number 110888
 Revision Date: September 24, 201

* Max Breakaway determined in laboratory environment on 2" thick SAE1018 Steel with surface roughness 63 micro inches. Many factors contribute to the actual breakaway force in each application. Always test the magswitch in each application before deployment. Refer to the magswitch information booklet for more information.



magswitch
AR20 NAAMS
 DATE: 10/24/2013
 DRAWN: [Signature]
 DESIGN: [Signature]
 TITLE: AR20 NAAMS
 SIZE: B
 CAGE CODE: 8140678
 DWG. NO.: 8140678
 WEIGHT: 304.82 g
 SCALE: 4:5
 SHEET 1 OF 2



Part Number 110888
 Revision Date: September 24, 2013